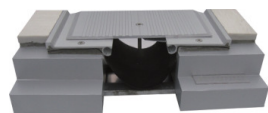
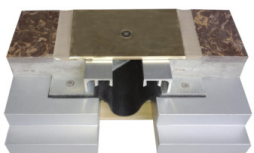


# EXPANSION JOINT COVER RANGE

## POLITE ENTERPRISES CORPORATION

### CONTENTS

I.	Floor Expansion Joint	
1.	Standard Metal Covers	03
2.	Heavy Duty Metal Covers	12
3.	Heavy Duty Lock Metal Floor Covers	15
4.	Lock Metal Floor Covers	16
5.	Flush Twinline Floor Covers	17
6.	Flush Seismic Floor Covers	19
7.	Seismic Lock Metal Floor Covers	22
8.	Flush Thinline Floor Covers	23
II.	Wall Expansion Joint	
1.	Lock Metal Wall Covers	25
2.	Standard Metal Wall Covers	28
3.	Flush Rubber Wall Covers	30
III.	Roof Expansion Joint Covers	
	Roof Expansion Joint Covers	32
IV.	Fire barrier	
	Fire barrier	35
V.	Stainless steel Rhone	
	Stainless steel Rhone	35
VI.	Water Barrier and Rubber	
	Water Barrier and Rubber	35
VII.	Movement Control Joint	
	Movement Control Joint	36



[www.polite.com.au](http://www.polite.com.au)

**Victoria**  
274 Wolseley Place, Thomastown VIC 3074  
T: 03 9462 7400 | F: 03 9462 7411  
E: [info@polite.com.au](mailto:info@polite.com.au)

**New South Wales Australian Capital Territory**  
15 Valediction Rd, Kings Park NSW 2148  
T: 02 9831 2855 | F: 02 9831 2822  
E: [info@polite.com.au](mailto:info@polite.com.au)

**Queensland**  
8/25 Ingleston Road, Tingalpa QLD 4173  
Tel 07 3910 0107 | Fax 07 3890 4428  
E: [info@polite.com.au](mailto:info@polite.com.au)

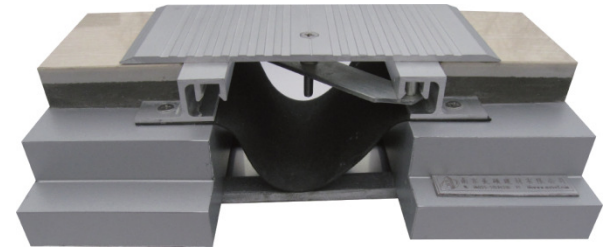
**South Australia, Western Australia  
Northern Territory, Tasmania**  
T: 1800 069 784  
E: [info@polite.com.au](mailto:info@polite.com.au)



# STANDARD METAL COVERS

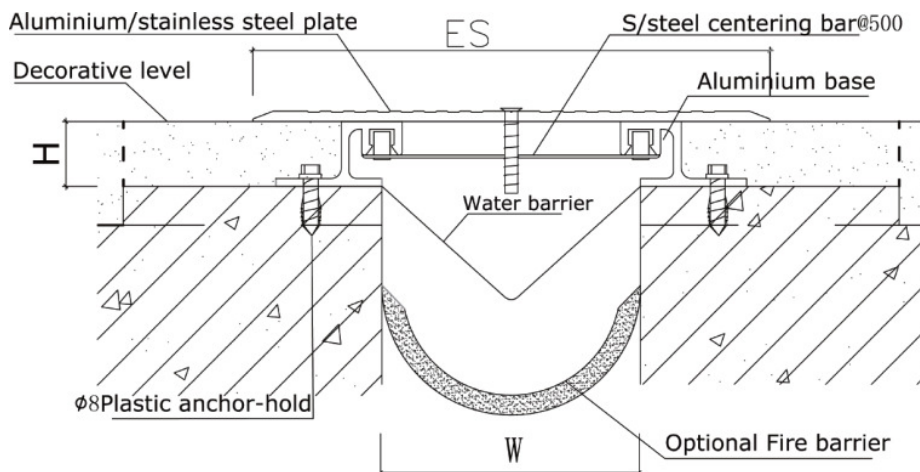
## POLITE ENTERPRISES CORPORATION

- Featuring a Centring Bar System
- Extruded aluminium frame plate
- Economical solution for retrofit and surface mount installations,
- Offering serrated surface and bevelled edges for pedestrian safety
- Ideal for carpet, vinyl, ceramic tile and other floor finishes
- Making aluminium base and joint hide to be beautiful
- Available in stainless steel and other custom finishes.



Model code: MSDG

Standard Metal Covers								
Suitable for Joint width : 50—250mm. Aluminium Profile plate: width*thickness 1、 150mm*4mm, 2、 200mm*4mm, 3、 250mm*4.5mm, 4、 300mm*5, 5、 300mm*6.3mm Aluminium Base height* wall thickness: 25mm*2mm, 25*3mm, 40mm*1.5mm								
Joint Width (W)	50	75	100	125	150	200	Remark (plate matched with joint width)	
Exposed surface (ES)	75	150	200	200	250	300	100> W ≥50, match 150mm*4mm Aluminium Profile plate ; 150> W≥100, match 200mm*4mm Aluminium Profile plate; 200> W≥150, match 250mm*4.5mm Aluminium Profile plate 250>W≥200, match 300mm*5mm Aluminium Profile plate W=250mm, match 300mm*6.3mm Aluminium Profile plate	
Movement Capacity	Total	140	140	185	190	240		290
	+	115	90	110	90	115		115
	-	25	50	75	100	125		175
Wideness of Plate(mm)	150	150	200	200	250	300		
Thickness of Plate(mm)	4	4	4	4	4.5	5		
Load Capacity(KN)	25	20	10	10	10	10		



# STANDARD METAL COVERS

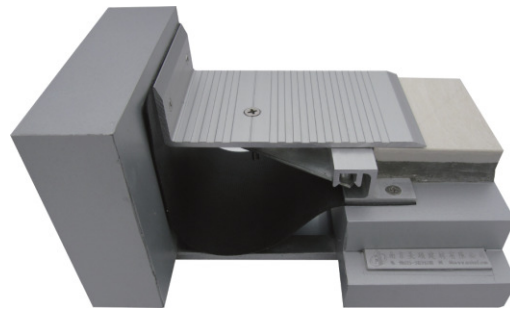
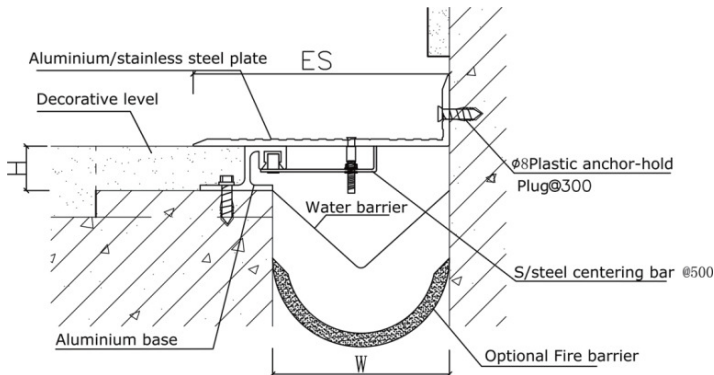
## POLITE ENTERPRISES CORPORATION



### Standard Metal Covers

Suitable for Joint width : 50—175mm,  
 Aluminium Profile plate: width\*thickness1、150mm\*4mm,2、200mm\*4mm  
 Aluminium Base (height\* wall thickness) : 25mm\*2mm, 25\*3mm

Joint Width (W)	50	75	100	125	150	175	Remark (plate matched with joint width)	
Exposed surface (ES)	150	150	150	150	200	200	125≥W, match 150mm*4mm Aluminium Profile plate ; 175≥W>125, match 200mm*4mm Aluminium Profile plate ;	
Movement Capacity	Total	125	125	125	125	175		158
	+	105	80	55	30	55		25
	-	20	45	70	95	120		123
Wideness of Plate(mm)	150	150	150	200	200	200		
Thickness of Plate(mm)	4	4	4	4	4	4		
Load Capacity(KN)	25	35	10	10	10	10		



Model code: MSD-QG

[www.polite.com.au](http://www.polite.com.au)

**Victoria**  
 274 Wolsley Place, Thomastown VIC 3074  
 T: 03 9462 7400 | F: 03 9462 7411  
 E: [info@polite.com.au](mailto:info@polite.com.au)

**New South Wales Australian Capital Territory**  
 15 Valediction Rd, Kings Park NSW 2148  
 T: 02 9831 2855 | F: 02 9831 2822  
 E: [info@polite.com.au](mailto:info@polite.com.au)

**Queensland**  
 8/25 Ingleston Road, Tingalpa QLD 4173  
 Tel 07 3910 0107 | Fax 07 3890 4428  
 E: [info@polite.com.au](mailto:info@polite.com.au)

**South Australia, Western Australia  
 Northern Territory, Tasmania**  
 T: 1800 069 784  
 E: [info@polite.com.au](mailto:info@polite.com.au)





# STANDARD METAL COVERS

## POLITE ENTERPRISES CORPORATION

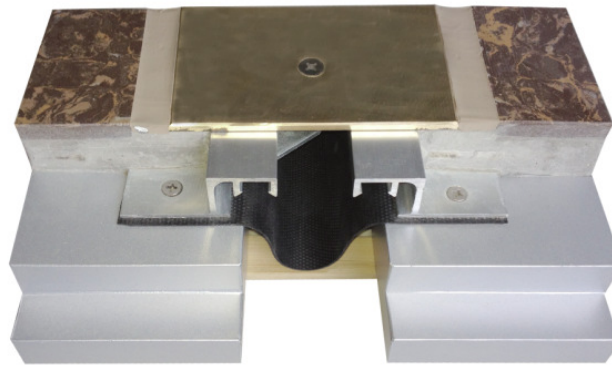
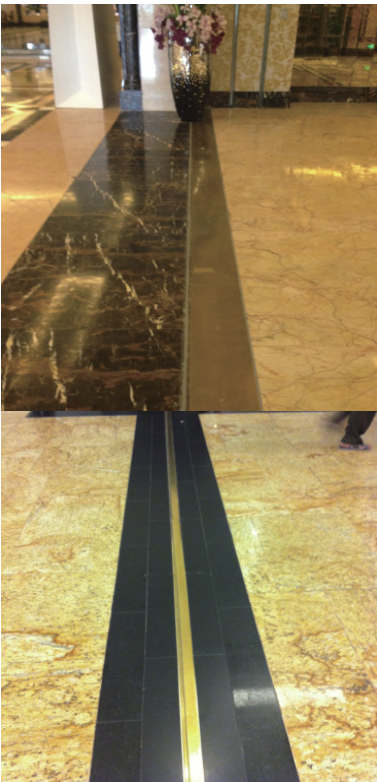
### Standard Metal Covers

Suitable for Joint width : 50—250mm,

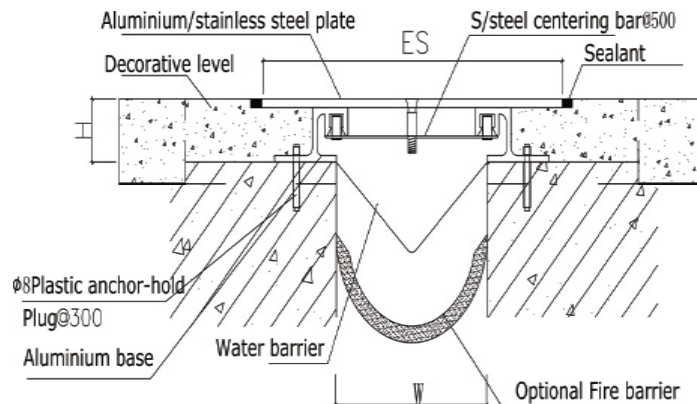
Aluminium Profile plate: width\*thickness 1、150mm\*4mm,2、200mm\*4mm,3、250mm\*4.5mm,

4、300mm\*5, 5、300mm\*6.3mm Aluminum Base (height\* wall thickness) : 25mm\*2mm, 25\*3mm,40mm\*1.5mm

Joint Width (W)	50	75	100	125	150	200	250	Remark (plate matched with joint width)	
Exposed surface (ES)	75	150	200	200	250	300	300	100> W ≥50, match 150mm*4mm Aluminium Profile plate ; 150> W≥100, match 200mm*4mm Aluminium Profile plate;200> W≥150, match 250mm*4.5mm Aluminium Profile plate 50>W≥200, match 300mm*5mm Aluminium Profile plate W=250mm, match 300mm*6.3mm Aluminium Profile plate For the plate of this model, there are aluminium profile, aluminium plate, brass plate and stainless steel plate	
Movement Capacity	Total	140	140	185	190	240	290		290
	+	115	90	110	90	115	115		65
	-	25	50	75	100	125	175		225
Wideness of Plate(mm)	150	150	200	200	250	300	300		
Thickness of Plate(mm)	4	4	4	4	4.5	5	6.3		
Load Capacity(KN)	25	20	10	10	10	10	10		



Model code: MSDGCP



[www.polite.com.au](http://www.polite.com.au)

#### Victoria

274 Wolsley Place, Thomastown VIC 3074  
T: 03 9462 7400 | F: 03 9462 7411  
E: [info@polite.com.au](mailto:info@polite.com.au)

#### New South Wales Australian Capital Territory

15 Valediction Rd, Kings Park NSW 2148  
T: 02 9831 2855 | F: 02 9831 2822  
E: [info@polite.com.au](mailto:info@polite.com.au)

#### Queensland

8/25 Ingleston Road, Tingalpa QLD 4173  
Tel 07 3910 0107 | Fax 07 3890 4428  
E: [info@polite.com.au](mailto:info@polite.com.au)

#### South Australia, Western Australia

Northern Territory, Tasmania  
T: 1800 069 784  
E: [info@polite.com.au](mailto:info@polite.com.au)



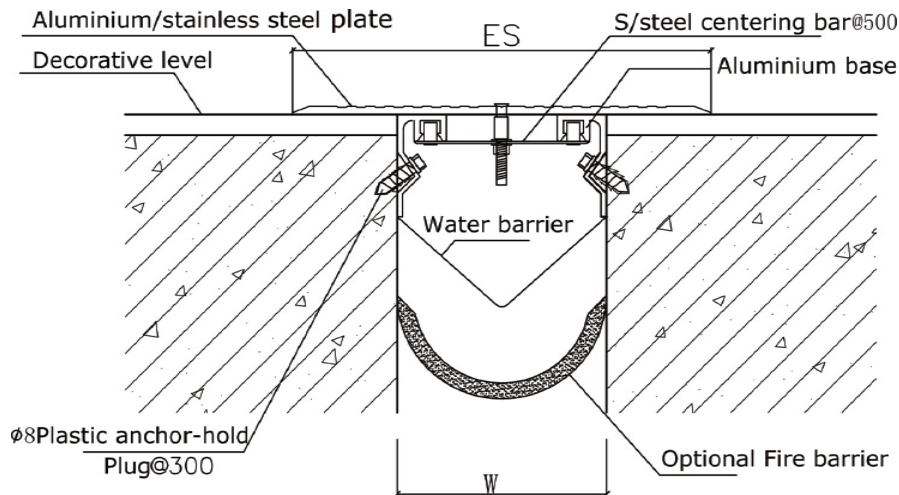
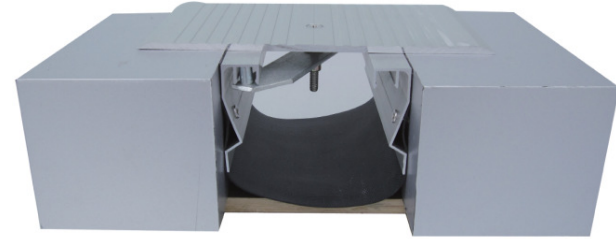


# STANDARD METAL COVERS

## POLITE ENTERPRISES CORPORATION

- Suitable for Joint width 150 — 250 mm
- Featuring a Center ring Bar System
- Extruded aluminum frame plate
- Economical solution for retrofit and surface mount installations ,
- Offering serrated surface and beveled edges for pedestrian safety
- Ideal for carpet , vinyl , ceramic tile and other floor finishes
- Making aluminum base and joint to be beautiful
- Available in stainless steel and other custom finishes.

Model code: MSDGA



### Standard Metal Covers

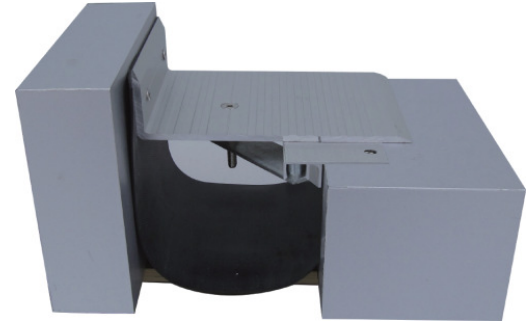
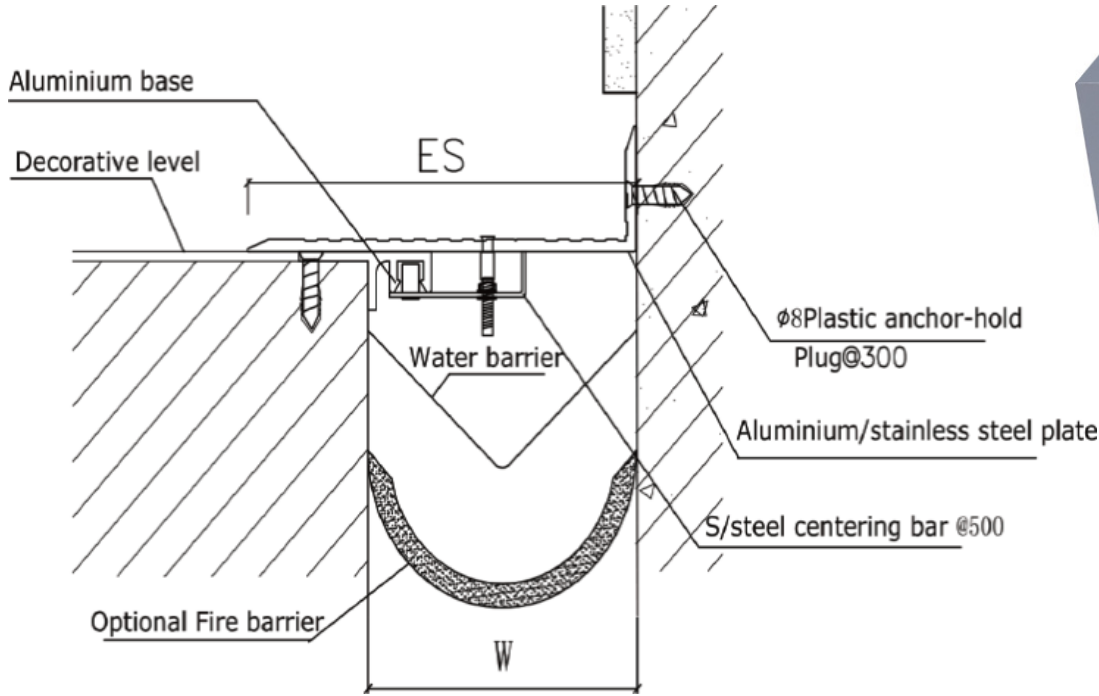
Suitable for Joint width : 150—250mm, Aluminum Profile plate: width\*thickness 1.150mm\*4mm, 2、200mm\*4mm,3、250mm\*4.5mm.4、300mm\*5, 5、300mm\*6.3mm

Joint Width (W)	150	200	250	Remark (plate matched with joint width)	
Exposed surface (ES)	200	250	300	When $W \leq 150$ mm, it's very hard to install. $200 > W \geq 150$ , match 250mm*4.5mm Aluminium Profile plate $250 > W \geq 200$ , match 300mm*5mm Aluminium Profile plate $W = 250$ mm, match 300mm*6.3mm Aluminium Profile plate	
Movement	Total	190	240		290
	+	90	90		90
Capacity	-	100	150		200
Wideness of Plate(mm)	200	250	300		
Thickness of Plate(mm)	4	4.5	5		
Load Capacity(KN)	10				

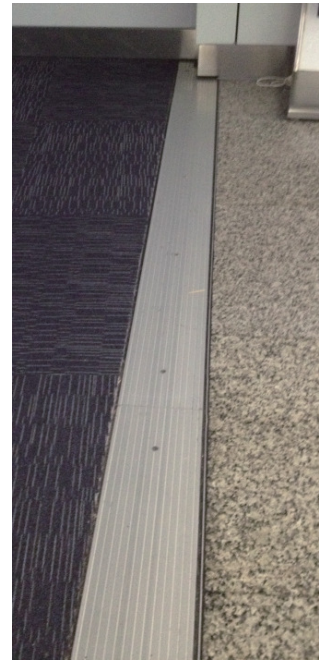


# STANDARD METAL COVERS

## POLITE ENTERPRISES CORPORATION



Model code: MSD-QGA



### Standard Metal Covers

Suitable for Joint width : 75—175mm, Aluminum Profile plate: width\*thickness1、150mm\*4mm,2、200mm\*4mm

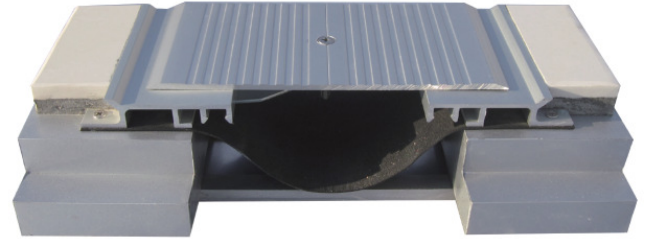
Joint Width (W)	75	100	125	150	175	Remark (plate matched with joint width)	
Exposed surface (ES)	150	150	150	200	200	125≥W, match 150mm*4mm Aluminium Profile plate ; 175≥W>125, match 200mm*4mm Aluminium Profile plate ;	
Movement Capacity	Total	105	105	105	155		128
	+	80	55	30	55		25
	-	25	50	75	100		103
Wideness of Plate(mm)	150	150	200	200	200		
Thickness of Plate(mm)	4	4	4	4	4.5		
Load Capacity(KN)	25	20	10	10	10		



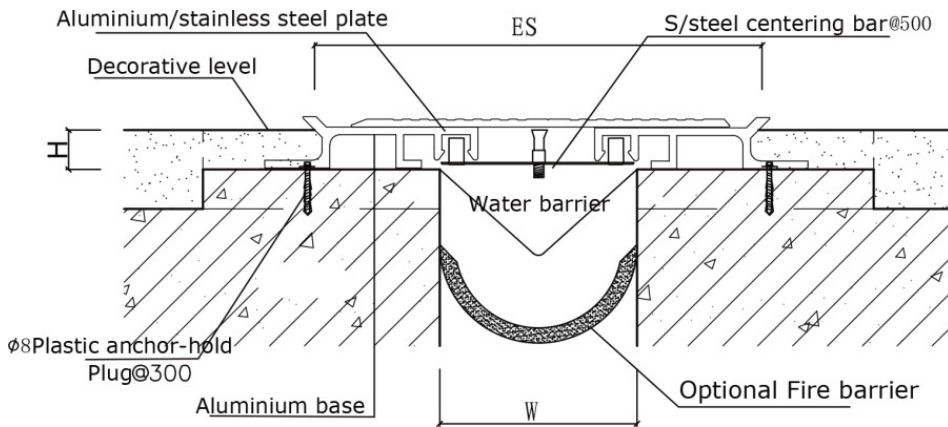
# STANDARD METAL COVERS

## POLITE ENTERPRISES CORPORATION

- Featuring a Centring Bar System
- Simple installation progress
- Same elevation with both sides of decorative level
- Many different chooses for cover plate
- Economical solution for retrofit and surface mount installations,
- Ideal for carpet, vinyl, ceramic tile and other floor finishes



Model code: MSDGP



### Standard Metal Covers

Suitable for Joint width : 75—500mm,

Aluminium Profile plate: width\*thickness 1、75\*3mm, 2、150mm\*4mm, 3、200mm\*4mm, 4、250mm\*4.5mm, 5、300mm\*5, 6、300mm\*6.3mm, Except aluminium profile, there are aluminium plate, brass plate and stainless steel plate and so on for your choose. ; aluminium Base(height\* wall thickness):20mm\*3mm

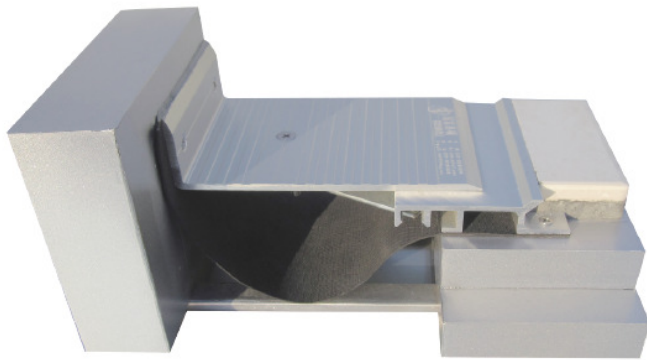
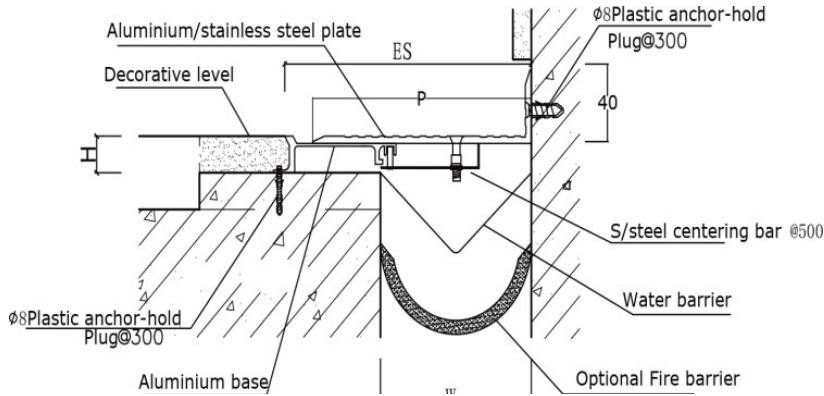
Joint Width (W)		75	100	125	150	175	200	250	300	350	400	450	500
Exposed surface (ES)		167	190	215	240	260	285	350	390	440	490		
Movement Capacity	Total	93	130	120	120	120	75	120	120	120	120		
	+	70	95	70	95	75	50	90	95	95	95		
	-	23	25	50	25	45	25	30	25	25	25		
Wideness of Plate(mm)		115	150	150	200	200	250	300	350	400	450		
Thickness of Plate(mm)		4	4	4	4	4	4	5	5	5	6		
Load Capacity(KN)		20	15	10	10	10	8	8	8	5	5		





# STANDARD METAL COVERS

## POLITE ENTERPRISES CORPORATION



Model code: MSD - QGP



### Standard Metal Covers

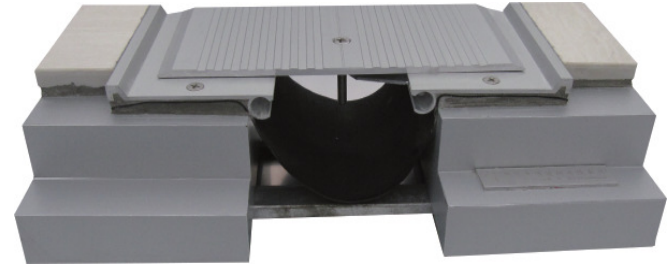
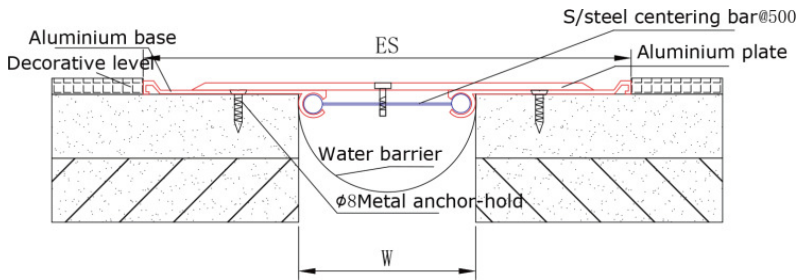
Suitable for Joint width : 50—175mm,  
 Aluminium Profile plate: width\*thickness 1、150mm\*4mm ,2、200mm\*4mm  
 Aluminium Base (height\* wall thickness) : 20mm\*3mm

Joint Width (W)	75	100	125	150	175	200	250	300	350	400	450	500
Exposed surface (ES)	170	175	185	250	235	245	295	345	395	445		
Movement Capacity	Total	60	60	60	60	60	60	60	60	60		
	+	35	35	35	35	35	35	35	35	35		
	-	25	25	25	25	25	25	25	25	25		
Wideness of Plate(mm)	150	150	150	200	200	210	260	310	360	410		
Thickness of Plate(mm)	4	4	4	4	4	3	3	4	5	6		
Load Capacity(KN)	25	20	15	10	10							



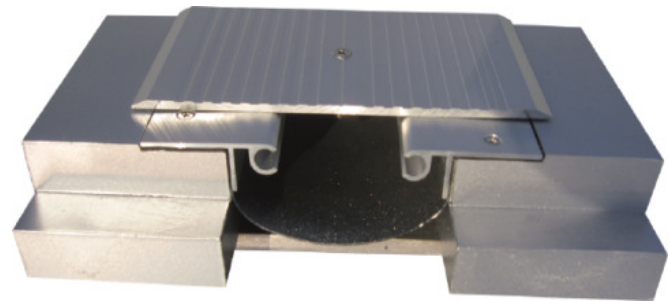
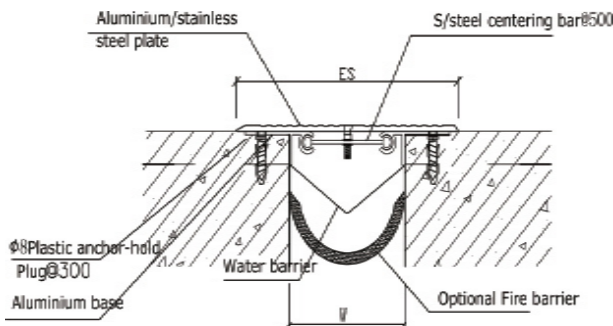
# STANDARD METAL COVERS

## POLITE ENTERPRISES CORPORATION



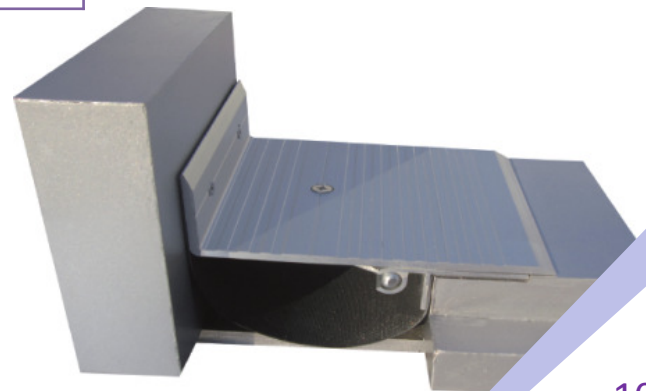
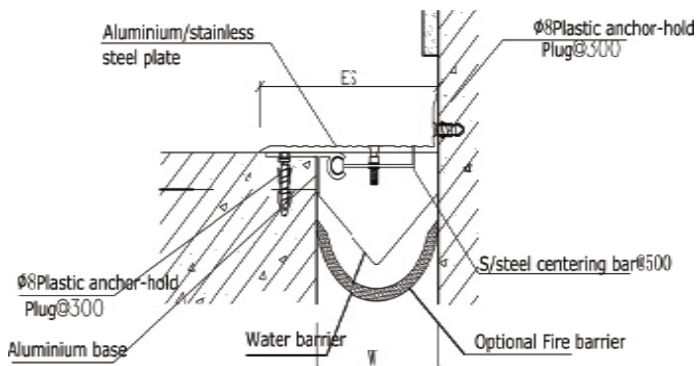
Model code: MSDGP-1

Joint Width (W)	75	100	125	150	200	250	300
Exposed surface (ES)	177	202	227	252	302	352	402
Movement Capacity	60	60	60	60	60	60	60



Model code: MSDGJ

Joint Width (W)	50	75	100	125	150	200	250
Exposed surface (ES)	75	150	200	200	250	300	300
Movement Capacity	140	140	185	190	240	290	290



Model code: MSD-QGJ

Joint Width (W)	50	75	100	125	150	175
Exposed surface (ES)	150	150	150	150	200	200
Movement Capacity	125	125	125	125	175	158

10

[www.polite.com.au](http://www.polite.com.au)

**Victoria**  
274 Wolseley Place, Thomastown VIC 3074  
T: 03 9462 7400 | F: 03 9462 7411  
E: [info@polite.com.au](mailto:info@polite.com.au)

**New South Wales Australian Capital Territory**  
15 Valediction Rd, Kings Park NSW 2148  
T: 02 9831 2855 | F: 02 9831 2822  
E: [info@polite.com.au](mailto:info@polite.com.au)

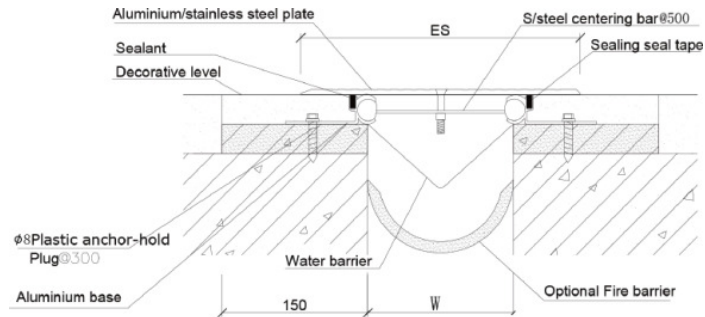
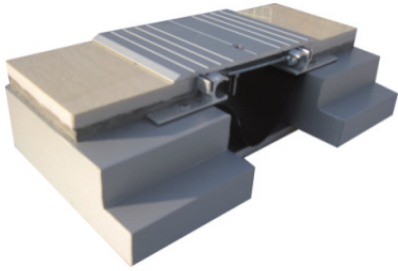
**Queensland**  
8/25 Ingleston Road, Tingalpa QLD 4173  
Tel 07 3910 0107 | Fax 07 3890 4428  
E: [info@polite.com.au](mailto:info@polite.com.au)

**South Australia, Western Australia  
Northern Territory, Tasmania**  
T: 1800 069 784  
E: [info@polite.com.au](mailto:info@polite.com.au)



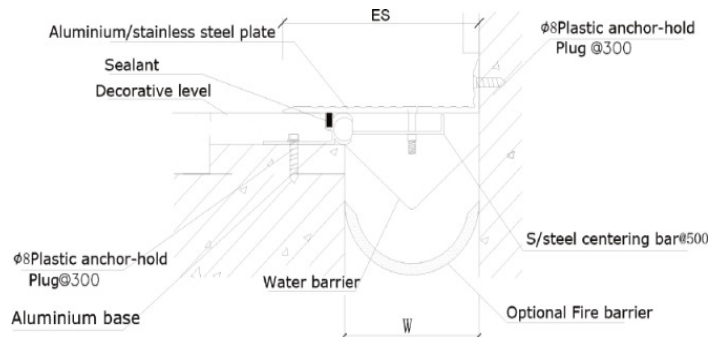
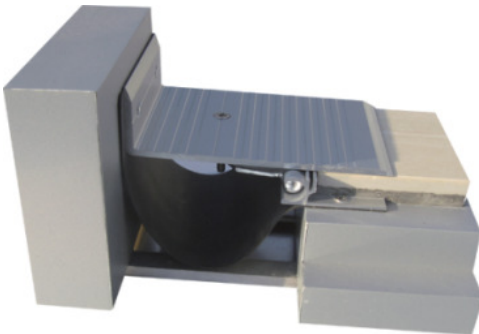
# STANDARD METAL COVERS

## POLITE ENTERPRISES CORPORATION



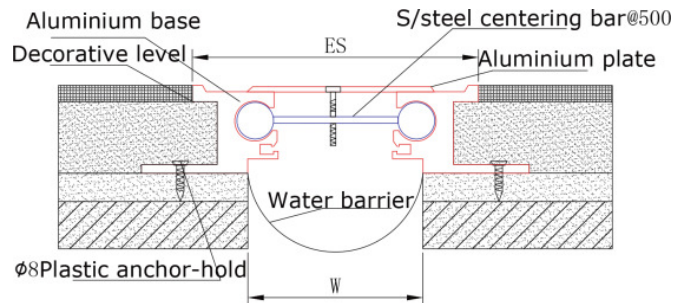
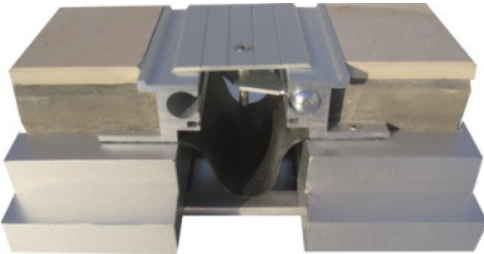
Model code: MSDGJS

Joint Width (W)	50	75	100	125	150	200	250
Exposed surface (ES)	75	150	200	200	250	300	300
Movement Capacity	140	140	185	190	240	290	290



Model code: MSD-QGJS

Joint Width (W)	50	75	100	125	150	175
Exposed surface (ES)	150	150	150	150	200	200
Movement Capacity	125	125	125	125	175	158



Model code: MSDGP-2

Joint Width (W)	50
Exposed surface (ES)	75
Movement Capacity	50



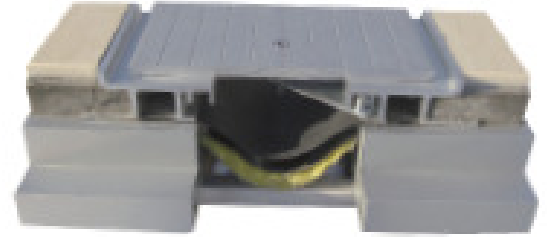


# HEAVY DUTY METAL COVERS

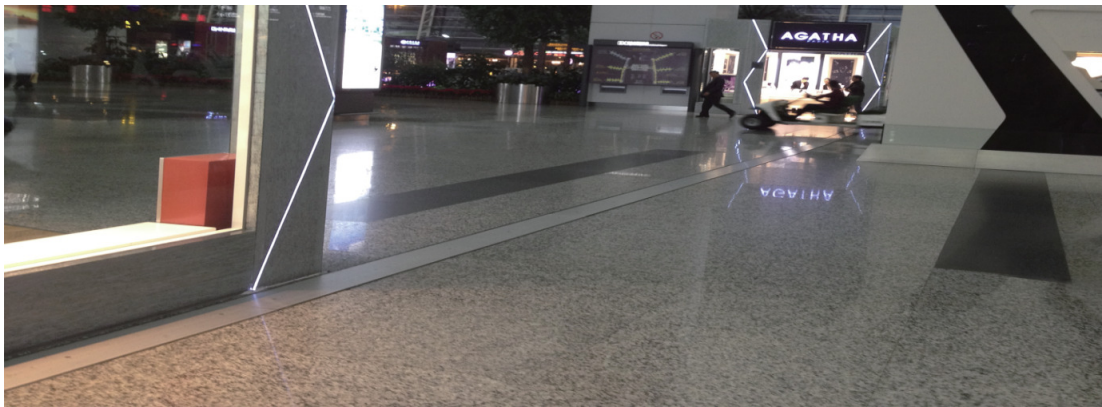
## POLITE ENTERPRISES CORPORATION

### Featuring a Centring Bar System

- Featuring a high load bearing system
- Ideal for vehicular traffic areas, such as parking garages and warehouses
- Fully engineered for both pneumatic and solid tires
- Many different choices for cover plate, such as aluminium plate, stainless steel plate and galvanized steel plate
- Ideal for carpet, vinyl, ceramic tile and other floor finishes

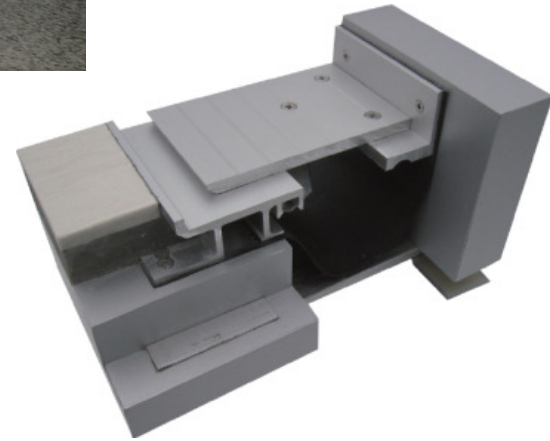


Model code: MSDGC



Model code: MSDGC

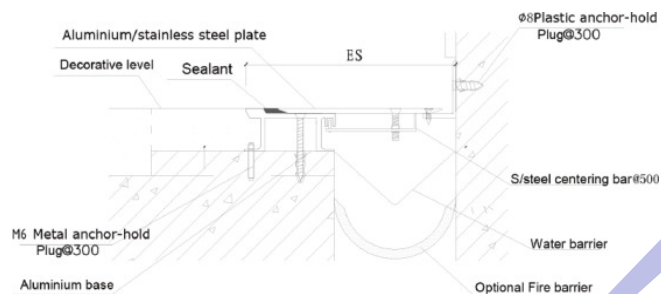
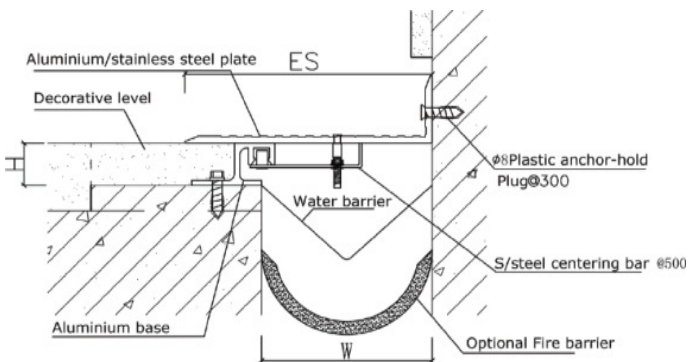
Joint Width (W)	50	75	100	125	150	200	250	300	350
Exposed surface (ES)	175	198	223	248	273	323	373	423	473
Movement Capacity	70	70	70	70	70	70	70	70	70



Model code: MSD-QGC

Model code: MSD-QGC

Joint Width (W)	50	75	100	125	150	200	250	300	350
Exposed surface (ES)	111	136	161	186	211	261	311	361	411
Movement Capacity	35	35	35	35	35	35	35	35	35

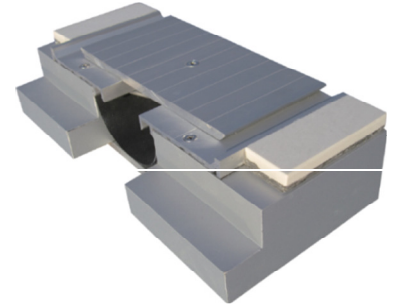


# HEAVY DUTY METAL COVERS

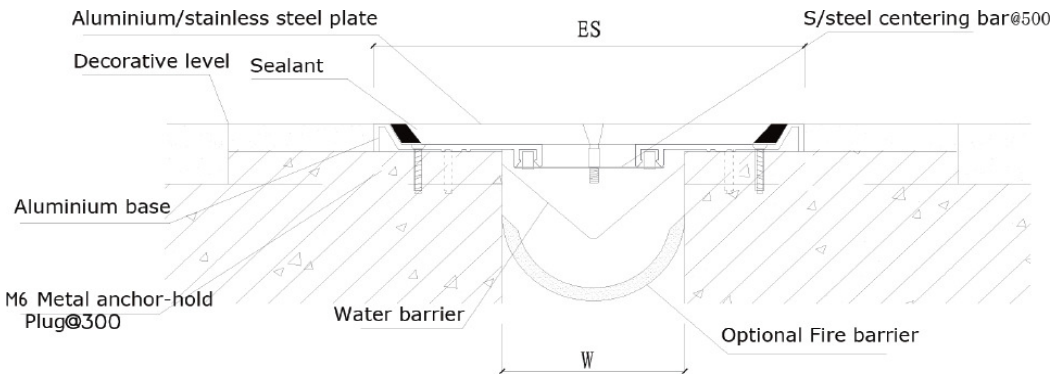
## POLITE ENTERPRISES CORPORATION

### Low extruded aluminium frame

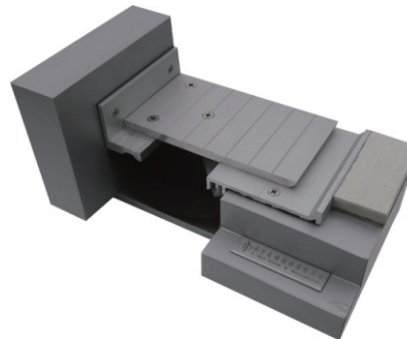
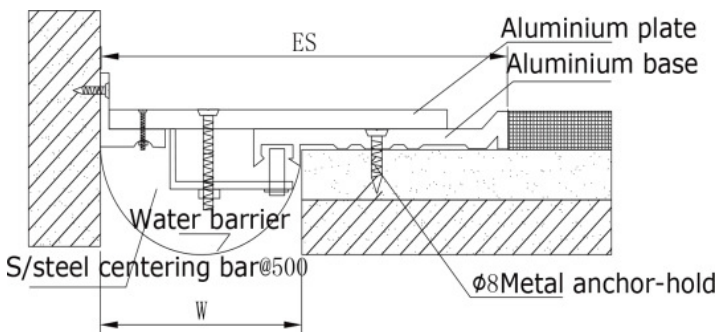
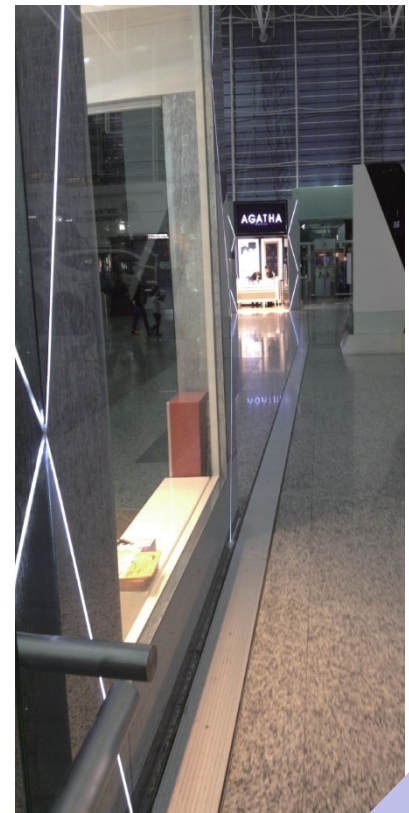
- Featuring a Cantering Bar System
- Featuring a high load bearing system
- Ideal for vehicular traffic areas, such as parking garages and warehouses
- Fully engineered for both pneumatic and solid tires
- Many different chooses for cover plate, such as aluminium plate, stainless steel plate and galvanized steel plate
- Ideal for carpet, vinyl, ceramic tile and other floor finishes
- Cost-effective than high extruded aluminium frame



Model code: MSDGCA-1



Joint Width (W)	75	100	125	150	200	250	300	350
Exposed surface (ES)	229	254	279	304	354	404	454	504
Movement Capacity	80	80	80	80	80	80	80	80



Model code: MSD-QGCA-1

Joint Width (W)	75	100	125	150	200	250	300	350
Exposed surface (ES)	152	177	202	227	277	327	377	427
Movement Capacity	40	40	40	40	40	40	40	40

[www.polite.com.au](http://www.polite.com.au)

#### Victoria

274 Wolseley Place, Thomastown VIC 3074  
T: 03 9462 7400 | F: 03 9462 7411  
E: [info@polite.com.au](mailto:info@polite.com.au)

#### New South Wales Australian Capital Territory

15 Valediction Rd, Kings Park NSW 2148  
T: 02 9831 2855 | F: 02 9831 2822  
E: [info@polite.com.au](mailto:info@polite.com.au)

#### Queensland

8/25 Ingleston Road, Tingalpa QLD 4173  
Tel 07 3910 0107 | Fax 07 3890 4428  
E: [info@polite.com.au](mailto:info@polite.com.au)

#### South Australia, Western Australia

Northern Territory, Tasmania  
T: 1800 069 784  
E: [info@polite.com.au](mailto:info@polite.com.au)





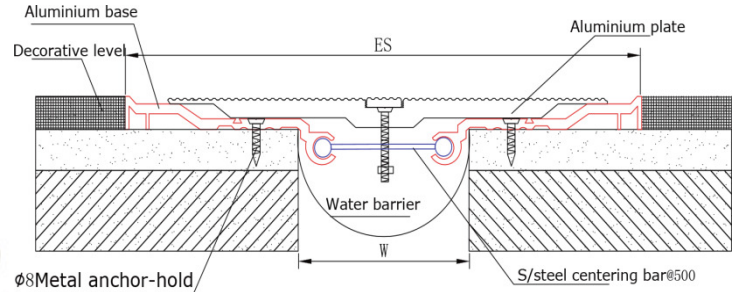
# HEAVY DUTY METAL COVERS

## POLITE ENTERPRISES CORPORATION

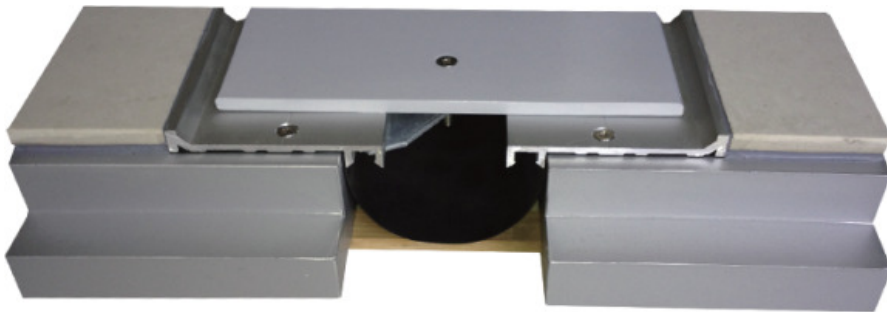
- Featuring an extremely high load bearing system
- Beautiful surface
- Hiding the screw fixing centring plate



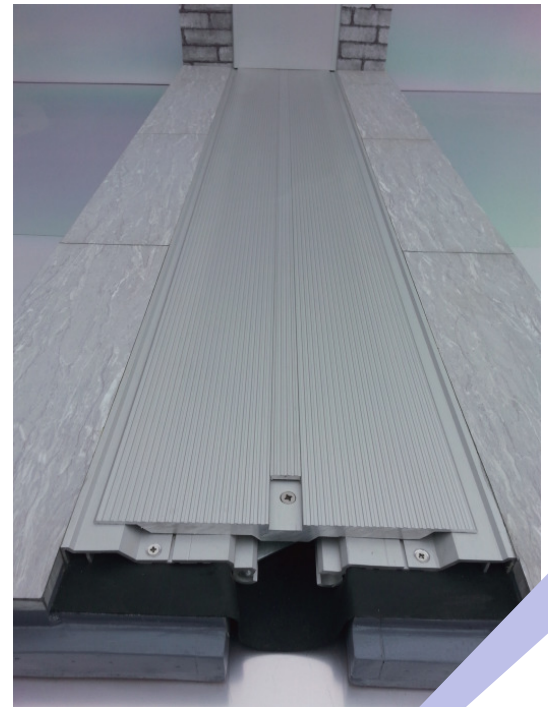
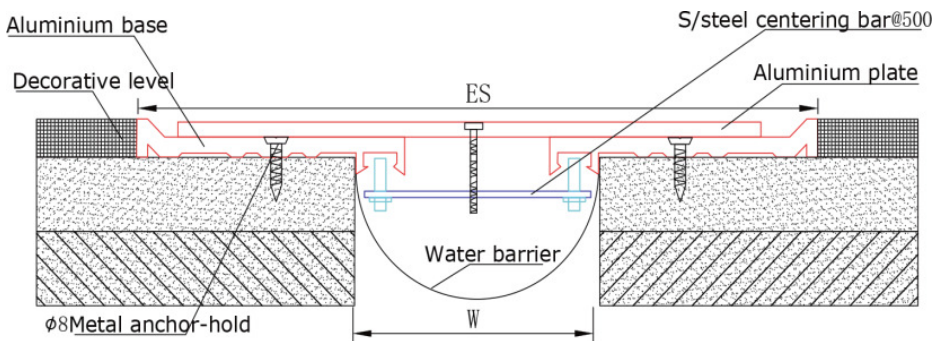
Model code: MSDGCA-2



Joint Width (W)	75	100	125
Exposed surface (ES)	283	308	333
Movement Capacity	25	25	25



Model code: MSDGC-2



Joint Width (W)	75	100	125	150	200	250	300	350
Exposed surface (ES)	229	254	279	304	354	404	454	504
Movement Capacity	80	80	80	80	80	80	80	80

[www.polite.com.au](http://www.polite.com.au)

**Victoria**  
274 Wolsley Place, Thomastown VIC 3074  
T: 03 9462 7400 | F: 03 9462 7411  
E: [info@polite.com.au](mailto:info@polite.com.au)

**New South Wales Australian Capital Territory**  
15 Valediction Rd, Kings Park NSW 2148  
T: 02 9831 2855 | F: 02 9831 2822  
E: [info@polite.com.au](mailto:info@polite.com.au)

**Queensland**  
8/25 Ingleston Road, Tingalpa QLD 4173  
Tel 07 3910 0107 | Fax 07 3890 4428  
E: [info@polite.com.au](mailto:info@polite.com.au)

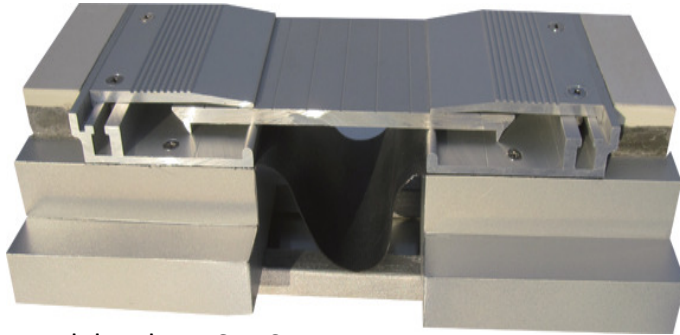
**South Australia, Western Australia  
Northern Territory, Tasmania**  
T: 1800 069 784  
E: [info@polite.com.au](mailto:info@polite.com.au)



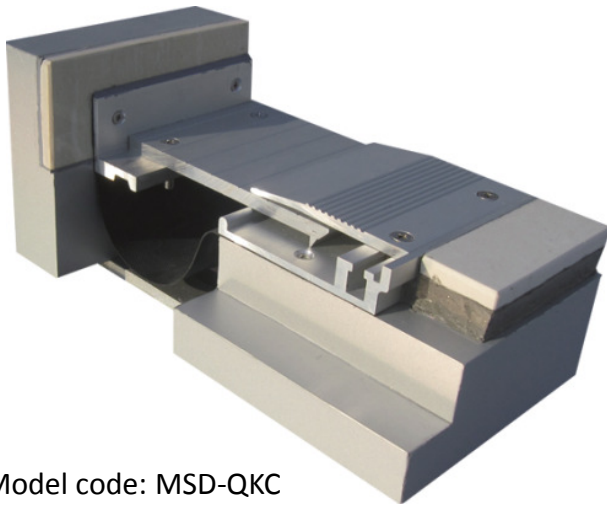


# HEAVY DUTY LOCK METAL COVERS

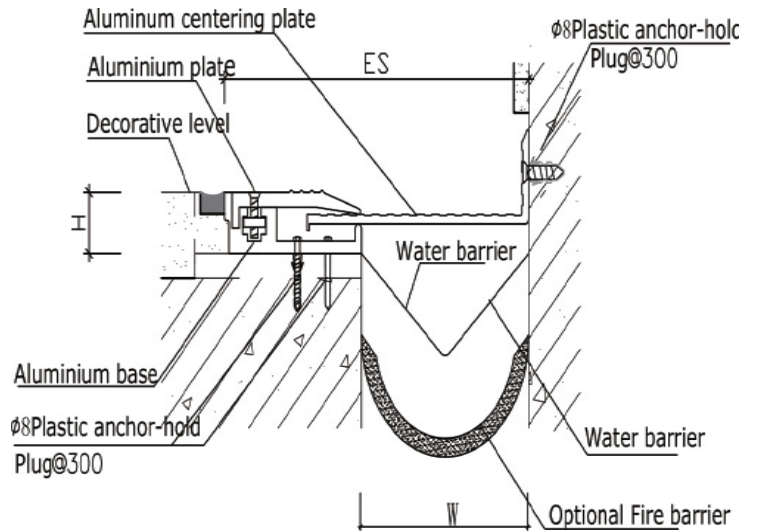
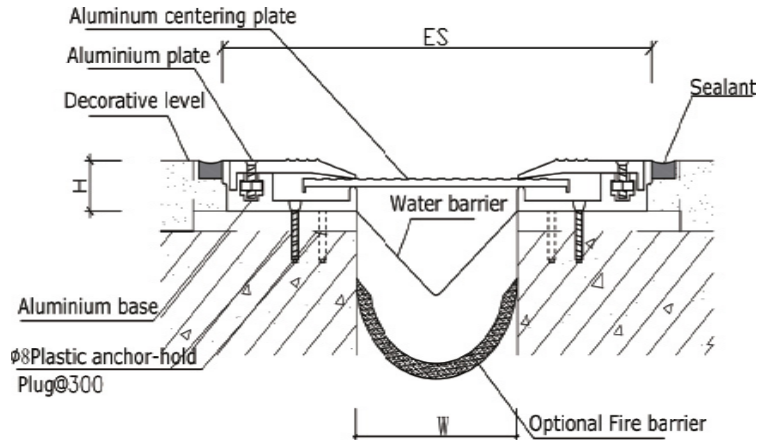
## POLITE ENTERPRISES CORPORATION



Model code: MSDKC



Model code: MSD-QKC



Joint Width (W)	75	100	125	150
Exposed surface (ES)	285	310	335	360
Movement Capacity	76	76	76	76

Joint Width (W)	75	100	125	150
Exposed surface (ES)	180	205	230	255
Movement Capacity	38	38	38	38

[www.polite.com.au](http://www.polite.com.au)

**Victoria**

274 Wolseley Place, Thomastown VIC 3074  
T: 03 9462 7400 | F: 03 9462 7411  
E: [info@polite.com.au](mailto:info@polite.com.au)

**New South Wales Australian Capital Territory**

15 Valediction Rd, Kings Park NSW 2148  
T: 02 9831 2855 | F: 02 9831 2822  
E: [info@polite.com.au](mailto:info@polite.com.au)

**Queensland**

8/25 Ingleston Road, Tingalpa QLD 4173  
Tel 07 3910 0107 | Fax 07 3890 4428  
E: [info@polite.com.au](mailto:info@polite.com.au)

**South Australia, Western Australia**

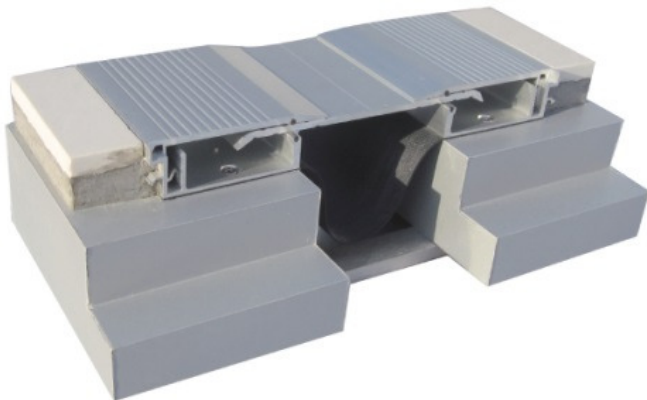
Northern Territory, Tasmania  
T: 1800 069 784  
E: [info@polite.com.au](mailto:info@polite.com.au)



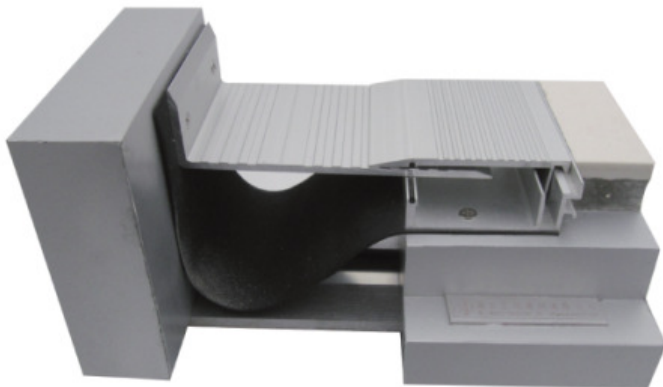
# LOCK METAL FLOOR COVERS

## POLITE ENTERPRISES CORPORATION

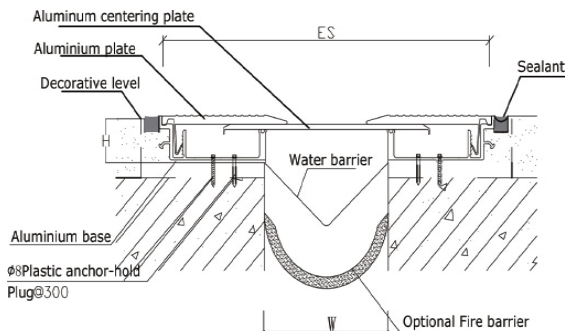
- Featuring a Glide Plate System
- Simple installation progress
- Durable architectural aluminium frames and covers
- Exposed or recessed receiver cover styles
- NO-BUMP configuration makes the system Compliant
- Ideal for carpet, vinyl, ceramic tile and other floor finishes



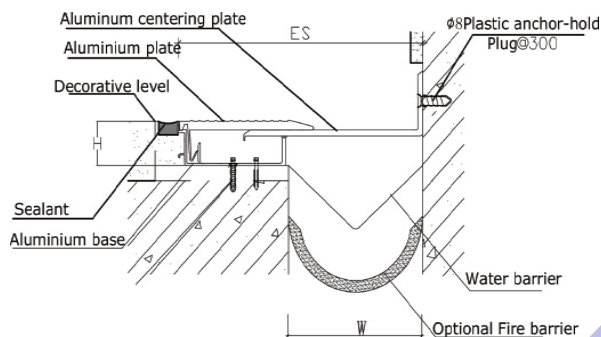
Model code: MSDK



Model code: MSD-QK



Model code: MSDK



Model code: MSD-QK

### Lock Metal Floor Covers

Suitable for Joint width : 75—200mm,  
Aluminium Profile plate: width\*thickness  
1.150mm\*4mm,2.200mm\*4mm,3.250mm  
\*4.5mm,4.300mm\*5,5.300mm\*6.3mm

Joint Width (W)	50	75	100	125	150	200
Exposed surface (ES)	128	153	178	203	228	278
Movement Capacity	Total	54	54	54	54	54
	+	27	27	27	27	27
	-	27	27	27	27	27
Wideness of Plate(mm)	126	151	176	201	226	276
Thickness of Plate(mm)	4	4	4	4	4.5	4.5
Load Capacity(KN)	25	15	10	8	8	8

### Lock Metal Floor Covers

Suitable for Joint width : 75—200mm,  
Aluminium Profile plate: width\*thickness  
1.150mm\*4mm,2.200mm\*4mm,3.250mm  
\*4.5mm,4.300mm\*5,5.300mm\*6.3mm

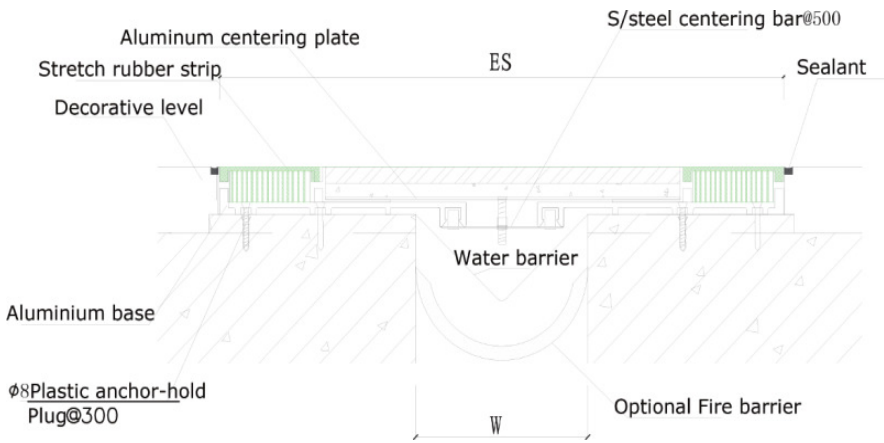
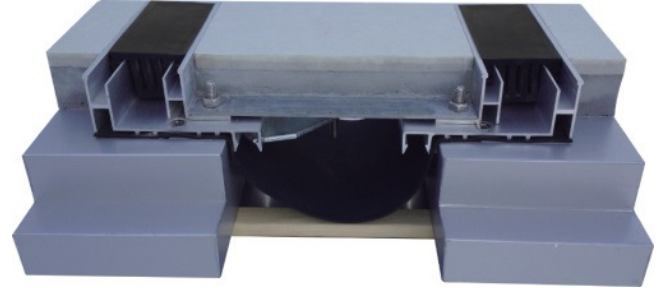
Joint Width (W)	50	75	100	125	150	200
Exposed surface (ES)	205	230	255	280	305	355
Movement Capacity	Total	108	108	108	108	108
	+	54	54	54	54	54
	-	54	54	54	54	54
Wideness of Plate(mm)	126	151	176	201	226	276
Thickness of Plate(mm)	4	4	4	4	4.5	4.5
Load Capacity(KN)	25	15	10	8	8	8



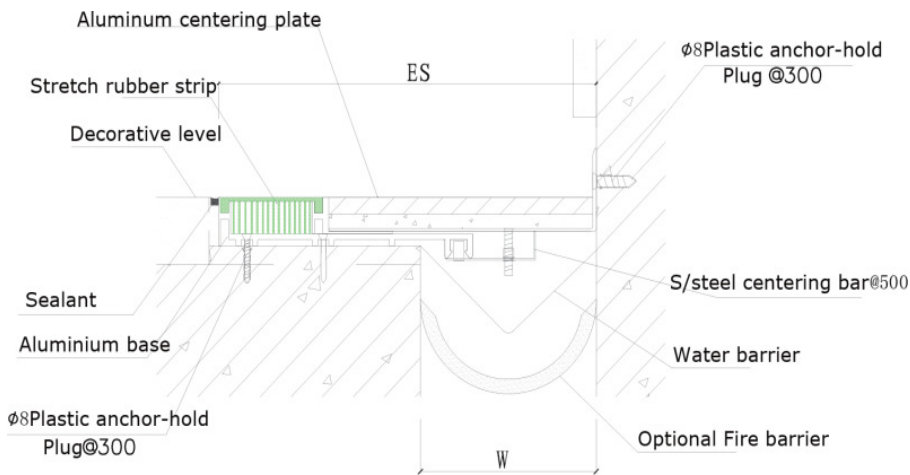
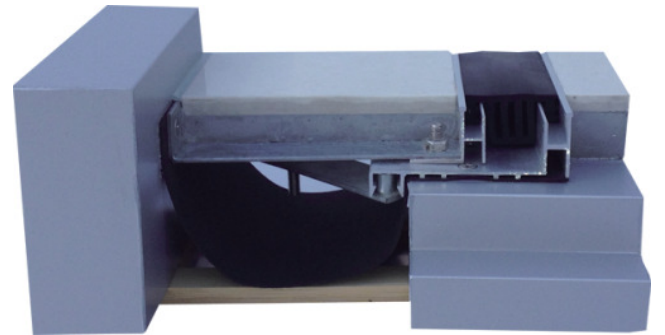
# FLUSH TWINLINE FLOOR COVERS

## POLITE ENTERPRISES CORPORATION

- Featuring a Centering Bar System
- Dual seal design provides necessary movement ranges.
- Flush rubber gasket minimizes sightline
- Gaskets available in many coordinating designer colours.
- Snap-fit design for easy on-site assembly
- Flexible seals provide a secure fit and yet retain optimal flexibility
- Ideal for carpet, vinyl, ceramic tile and other floor finishes
- Cost-effective with many different joint



Model code: MSDSJH				
Joint Width (W)	100	150	200	300
Exposed surface (ES)	280	330	380	480
Movement Capacity	25	25	25	25



Model code: MSD-QSJH				
Joint Width (W)	100	150	200	300
Exposed surface (ES)	190	240	290	390
Movement Capacity	13	13	13	13

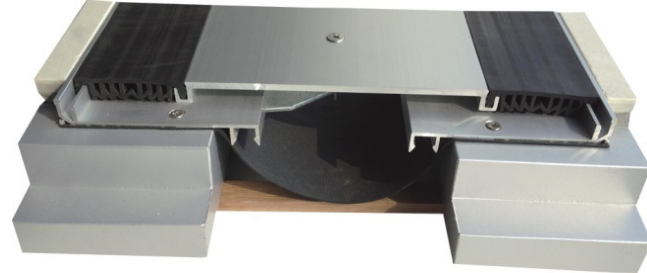




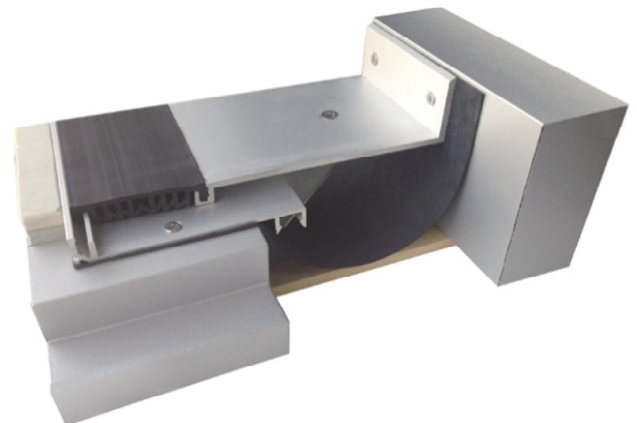
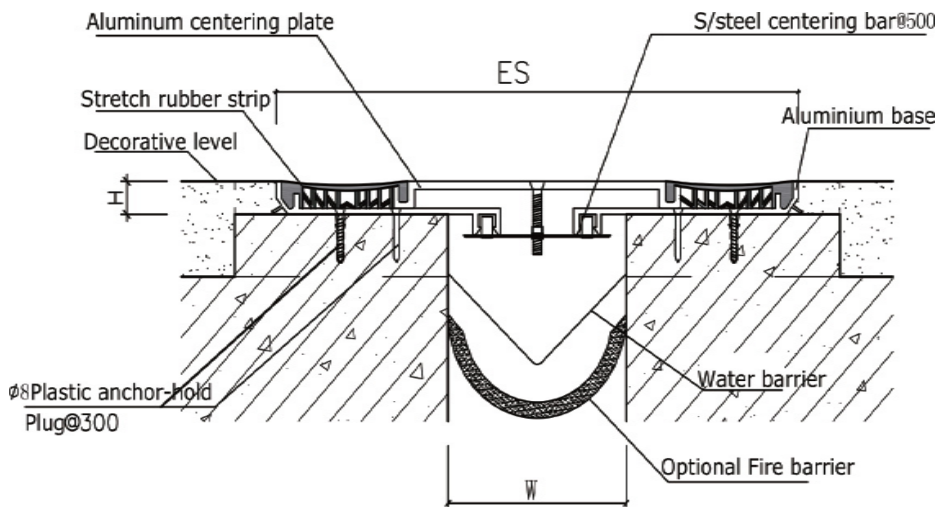
# LOCK METAL FLOOR COVERS

## POLITE ENTERPRISES CORPORATION

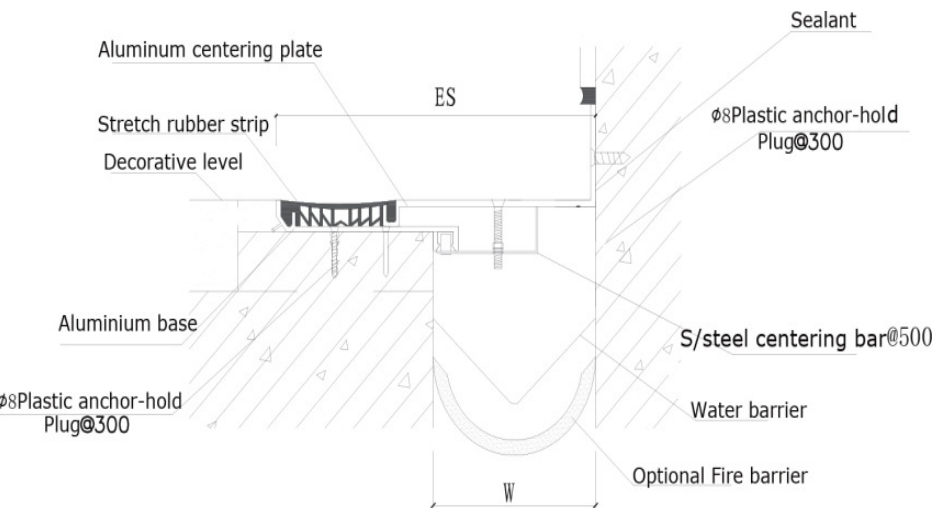
- Featuring a Centring Bar System
- Dual seal design provides necessary y movement ranges.
- Flush rubber gasket minimizes sight line
- Gaskets available in many coordinating designer colors.
- Snap-fit design for easy on-site assembly
- Flexible seals provide a secure fit and yet retain optimal flexibility
- Extruded aluminium frame centre plate make the surface beautiful
- Ideal for carpet, vinyl, ceramic tile and other floor finishes



Model code: MSDSJ				
Joint Width (W)	100	150	200	300
Exposed surface (ES)	278	328	378	478
Movement Capacity	25	25	25	25



Model code: MSD-QSJ				
Joint Width (W)	100	150	200	300
Exposed surface (ES)	189	239	289	389
Movement Capacity	13	13	13	13



[www.polite.com.au](http://www.polite.com.au)

Victoria  
274 Wolseley Place, Thomastown VIC 3074  
T: 03 9462 7400 | F: 03 9462 7411  
E: [info@polite.com.au](mailto:info@polite.com.au)

New South Wales Australian Capital Territory  
15 Valediction Rd, Kings Park NSW 2148  
T: 02 9831 2855 | F: 02 9831 2822  
E: [info@polite.com.au](mailto:info@polite.com.au)

Queensland  
8/25 Ingleston Road, Tingalpa QLD 4173  
Tel 07 3910 0107 | Fax 07 3890 4428  
E: [info@polite.com.au](mailto:info@polite.com.au)

South Australia, Western Australia  
Northern Territory, Tasmania  
T: 1800 069 784  
E: [info@polite.com.au](mailto:info@polite.com.au)





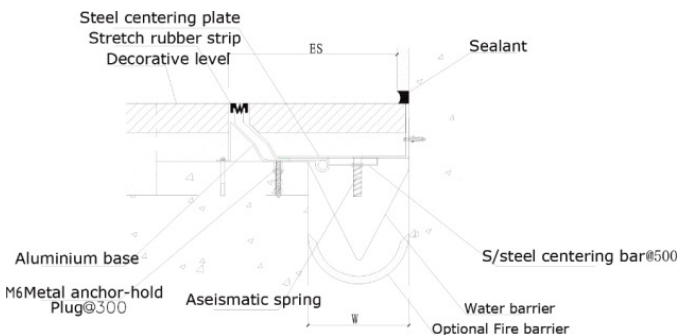
# FLUSH SEISMIC FLOOR COVERS

## POLITE ENTERPRISES CORPORATION

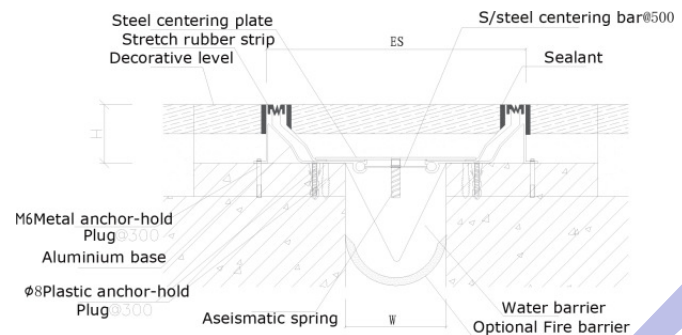
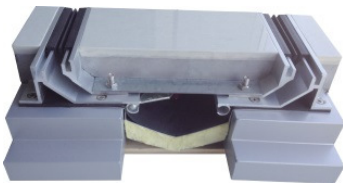
- Featuring a POP UP System
- Centring Bar/Compression Spring assembly repositions the pan after seismic movement
- Ideal for high grade marble, granite, limestone and paver floor finishes
- Dual seal design provides necessary movement ranges.
- Flush rubber gasket minimizes sight line
- Gaskets available in many coordinating designer colors.
- Snap-fit design for easy on-site assembly
- Flexible seals provide a secure fit and yet retain optimal flexibility



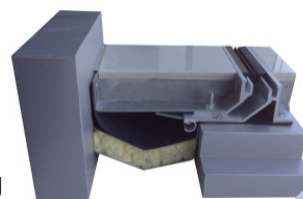
Flush Seismic Floor Covers													
Suitable for Joint width : 75—500mm													
Joint Width (W)	75	100	125	150	175	200	250	300	350	400	450	500	Remark (plate matched with joint width)
Exposed surface (ES)	215	240	265	290	315	340	390	440	490	540	590	640	The movement capacity always means the movement of the rubber. In fact, the movement joint of the centring bar is much more bigger than rubber's. Usually the centre plate is steel plate or galvanized steel plate. Stainless steel plate is not economic because this plate is buried underground. Aluminium plate is not stronger than steel plate. It must be very thick.
Movement Capacity	Total	50	50	50	50	50	50	50	50	50	50	50	
	+	25	25	25	25	25	25	25	25	25	25	25	
	-	25	25	25	25	25	25	25	25	25	25	25	
Wideness of Plate(mm)	125	150	175	200	225	250	300	350	400	450	500	550	
Thickness of Plate(mm)	1.5	1.5	1.5	2	2	2	3	3	3	5	5	5	
Load Capacity(KN)	25	15	10	8	8								



Model code: MSDSZJ



Model code: MSD-QSZJ



[www.polite.com.au](http://www.polite.com.au)

**Victoria**  
274 Wolseley Place, Thomastown VIC 3074  
T: 03 9462 7400 | F: 03 9462 7411  
E: [info@polite.com.au](mailto:info@polite.com.au)

**New South Wales Australian Capital Territory**  
15 Valediction Rd, Kings Park NSW 2148  
T: 02 9831 2855 | F: 02 9831 2822  
E: [info@polite.com.au](mailto:info@polite.com.au)

**Queensland**  
8/25 Ingleston Road, Tingalpa QLD 4173  
Tel 07 3910 0107 | Fax 07 3890 4428  
E: [info@polite.com.au](mailto:info@polite.com.au)

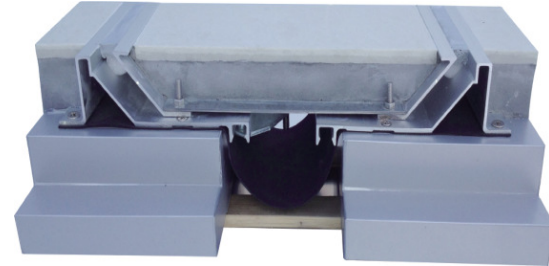
**South Australia, Western Australia Northern Territory, Tasmania**  
T: 1800 069 784  
E: [info@polite.com.au](mailto:info@polite.com.au)



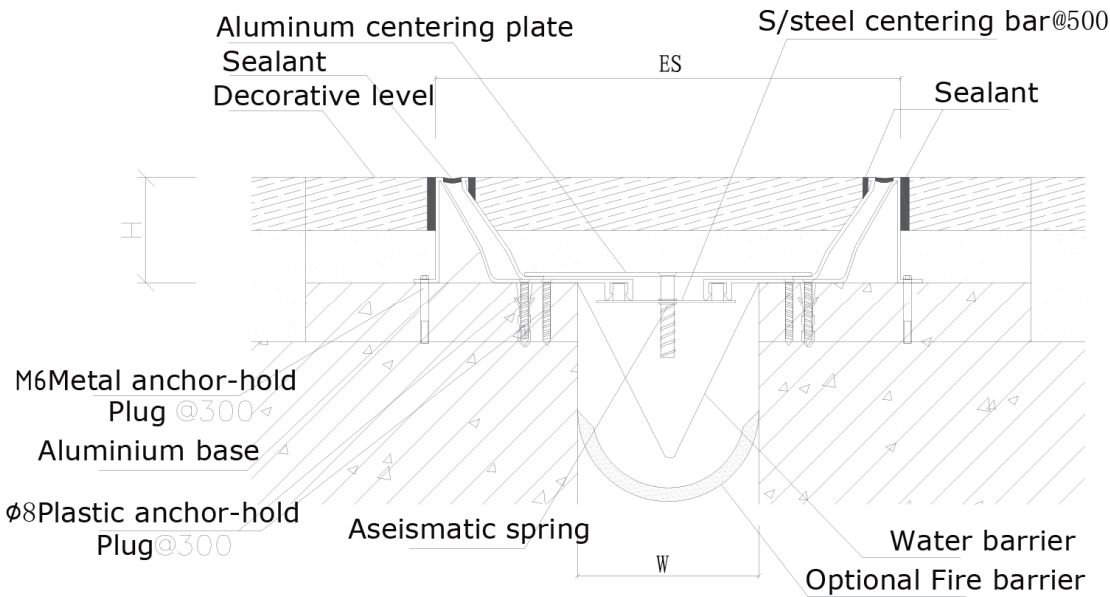
# FLUSH SEISMIC FLOOR COVERS

## POLITE ENTERPRISES CORPORATION

- Featuring a POP UP System
- Centring Bar/Compression
- Spring assembly repositioning the pan after seismic movement
- Ideal for high grade marble, granite, limestone and paver floor finishes
- "Zero Sight Line " effect preferred by interior designers
- Silicon Sealant system matching grout lines in different floor designs



Model code: MSDSZ



Flush Seismic Floor Covers

Suitable for Joint width : 75—500mm

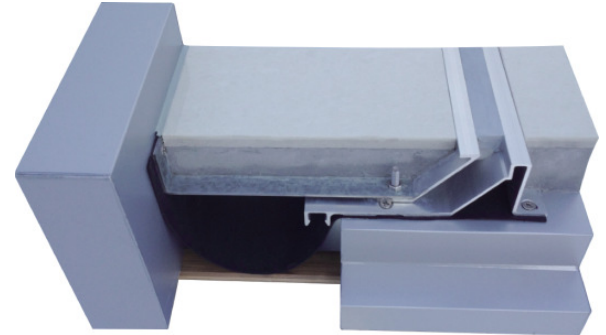
Joint Width (W)	75	100	125	150	175	200	250	300	350	400	450	500
Exposed surface (ES)	285	310	335	360	385	410	460	510	560	610	660	710
Movement Capacity	Total	60	60	60	60	60	60	60	60	60	60	60
	+	30	30	30	30	30	30	30	30	30	30	30
	-	30	30	30	30	30	30	30	30	30	30	30
Wideness of Plate(mm)	175	195	220	245	270	295	545	395	445	495	545	595
Thickness of Plate(mm)	1.5	2	2	2	3	3	3	3	5	5	5	5



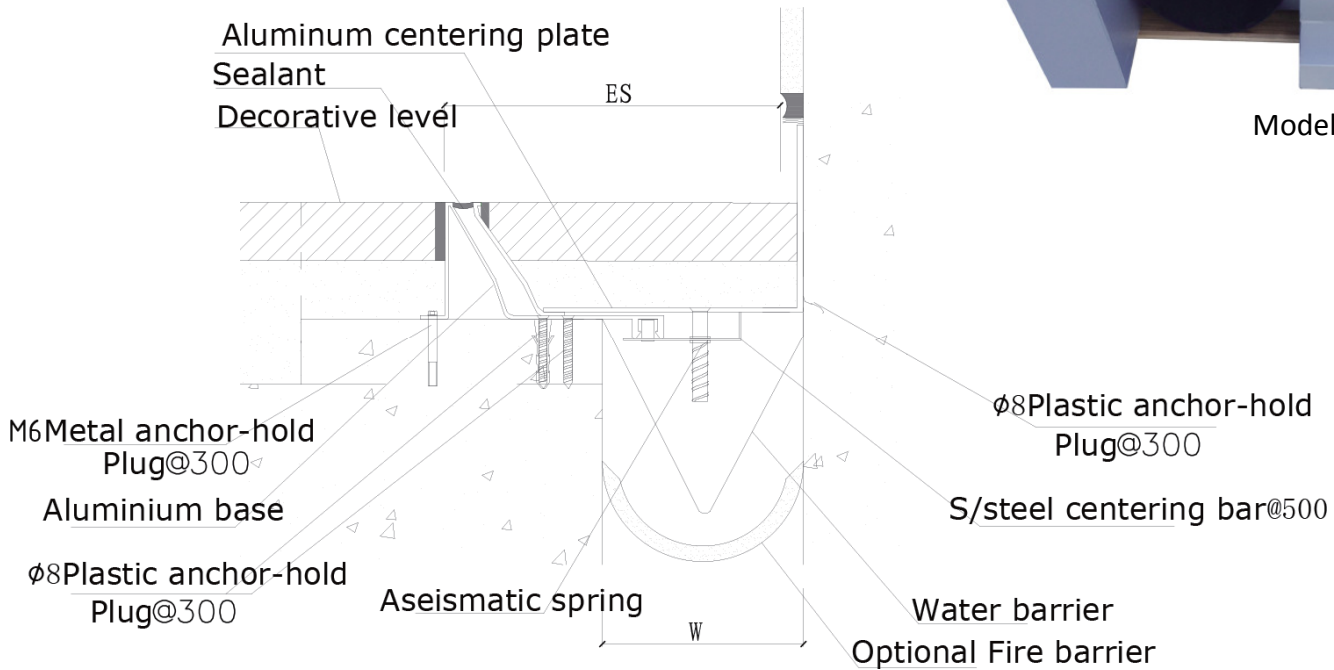
# FLUSH SEISMIC FLOOR COVERS

## POLITE ENTERPRISES CORPORATION

- Featuring a POP UP System
- Centring Bar/Compression
- Spring assembly repositioning the pan after seismic movement
- Ideal for high grade marble, granite, limestone and paver floor finishes
- "Zero Sight Line " effect preferred by interior designers
- Silicon Sealant system matching grout lines in different floor designs



Model code: MSD-QSZ



Flush Seismic Floor Covers												
Suitable for Joint width : 75—500mm												
Joint Width (W)	75	100	125	150	175	200	250	300	350	400	450	500
Exposed surface (ES)	180	205	230	255	280	305	355	405	455	505	555	605
Movement Capacity	Total	40	40	40	40	40	40	40	40	40	40	40
	+	20	20	20	20	20	20	20	20	20	20	20
	-	20	20	20	20	20	20	20	20	20	20	20
Wideness of Plate(mm)	120	145	170	195	220	245	295	345	395	445	495	545
Thickness of Plate(mm)	1.5	1.5	1.5	2	2	2	3	3	3	5	5	5

[www.polite.com.au](http://www.polite.com.au)

**Victoria**  
274 Wolseley Place, Thomastown VIC 3074  
T: 03 9462 7400 | F: 03 9462 7411  
E: [info@polite.com.au](mailto:info@polite.com.au)

**New South Wales Australian Capital Territory**  
15 Valediction Rd, Kings Park NSW 2148  
T: 02 9831 2855 | F: 02 9831 2822  
E: [info@polite.com.au](mailto:info@polite.com.au)

**Queensland**  
8/25 Ingleston Road, Tingalpa QLD 4173  
Tel 07 3910 0107 | Fax 07 3890 4428  
E: [info@polite.com.au](mailto:info@polite.com.au)

**South Australia, Western Australia  
Northern Territory, Tasmania**  
T: 1800 069 784  
E: [info@polite.com.au](mailto:info@polite.com.au)

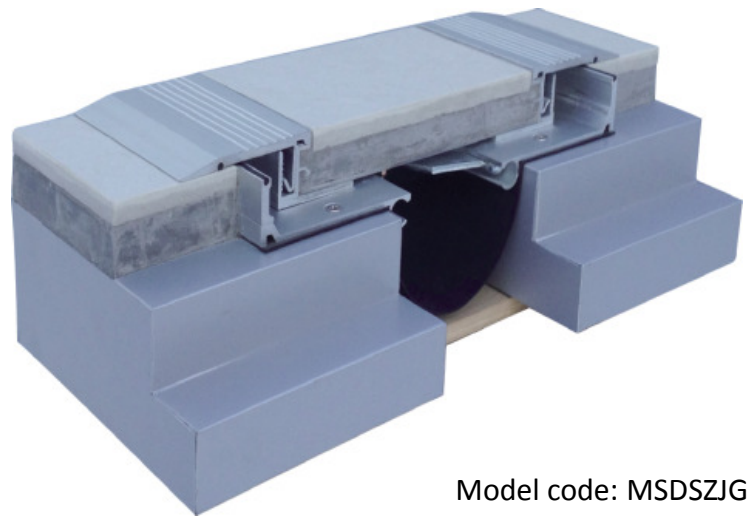




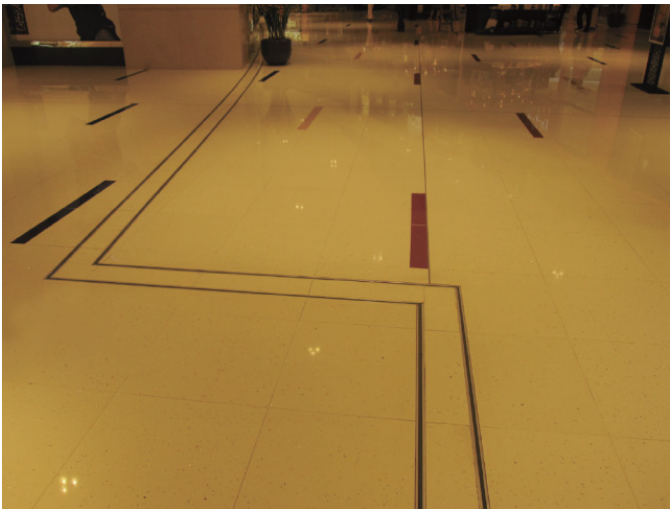
# SEISMIC LOCK METAL FLOOR COVERS

## POLITE ENTERPRISES CORPORATION

- Special design for extremely big expansion joint of concrete structure and reinforced structure
- Snap-fit design for easy on-site assembly
- Durable architectural aluminium frames and covers
- Exposed or recessed receiver cover styles
- NO-BUMP configuration makes the system Compliant
- Ideal for carpet, vinyl, ceramic tile and other floor finishes
- Centring Bar/Compression Spring assembly repositions the pan after seismic movement
- Successful case of Nanjing South station with Exposed surface of 1081mm



Model code: MSDSZJG



Nanjing South Railway Station  
Waiting Hall on Second Floor



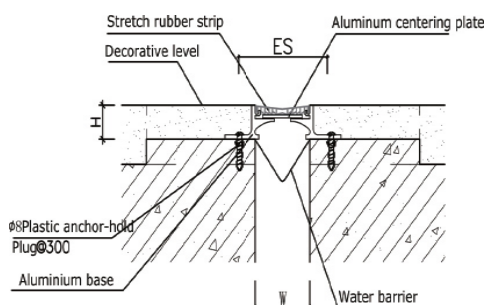
Nanjing South Railway  
Station Exit Hall on First Floor



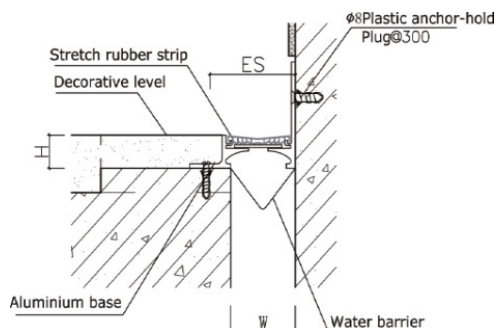
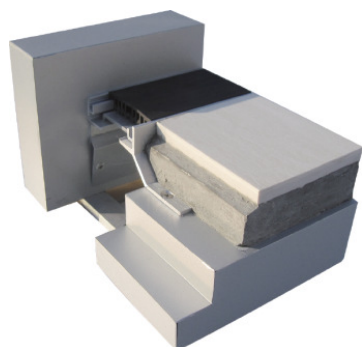
# FLUSH THINLINE FLOOR COVERS

## POLITE ENTERPRISES CORPORATION

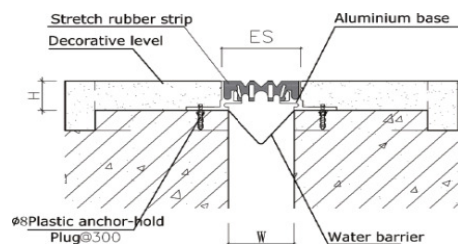
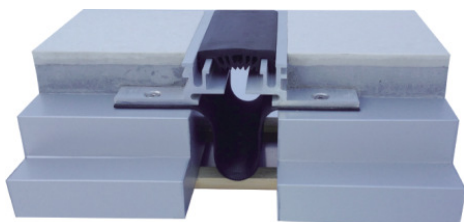
- Designed for small joint width
- Featuring a recessed design that minimizes sight lines
- Flexible seal provides a secure fit and yet retains flexibility
- Gaskets available in many coordinating designer colors
- Snap-fit design for easy on-site assembly
- Durable architectural aluminium frames and covers
- Ideal for carpet, vinyl, ceramic tile and other floor finishes



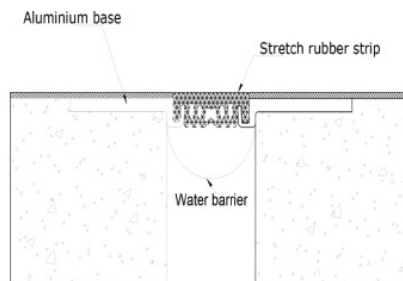
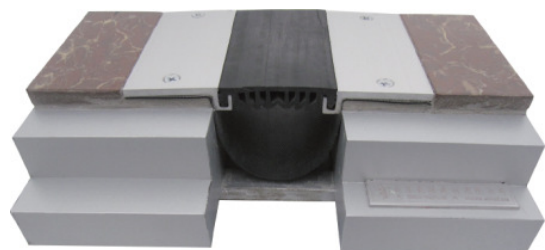
Model code: MSDDJ		
Joint Width (W)	50	75
Exposed surface (ES)	63	88
Movement Capacity	12	12



Model code: MSD-QDJ		
Joint Width (W)	50	75
Exposed surface (ES)	63	88
Movement Capacity	12	12



Model code: MSDDJF		
Joint Width (W)	50	75
Exposed surface (ES)	69	94
Movement Capacity	12	12



Model code: MSDDJ-2			
Joint Width (W)	25	50	75
Exposed surface (ES)	98	123	148
Movement Capacity	12	12	12

[www.polite.com.au](http://www.polite.com.au)

### Victoria

274 Wolseley Place, Thomastown VIC 3074  
T: 03 9462 7400 | F: 03 9462 7411  
E: [info@polite.com.au](mailto:info@polite.com.au)

### New South Wales Australian Capital Territory

15 Valediction Rd, Kings Park NSW 2148  
T: 02 9831 2855 | F: 02 9831 2822  
E: [info@polite.com.au](mailto:info@polite.com.au)

### Queensland

8/25 Ingleston Road, Tingalpa QLD 4173  
Tel 07 3910 0107 | Fax 07 3890 4428  
E: [info@polite.com.au](mailto:info@polite.com.au)

### South Australia, Western Australia

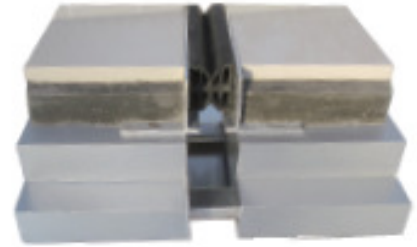
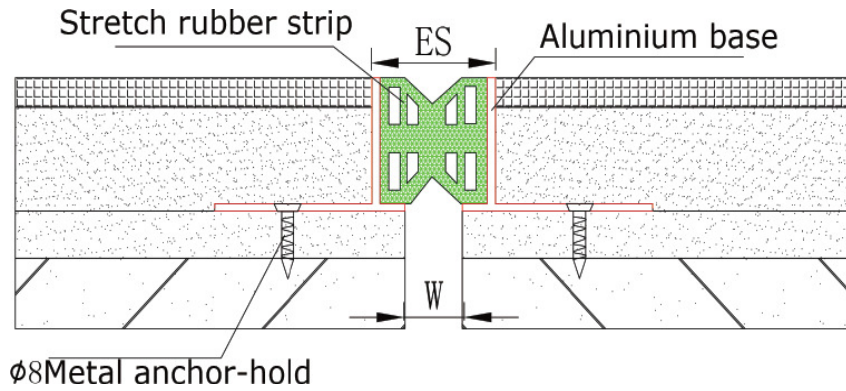
Northern Territory, Tasmania  
T: 1800 069 784  
E: [info@polite.com.au](mailto:info@polite.com.au)





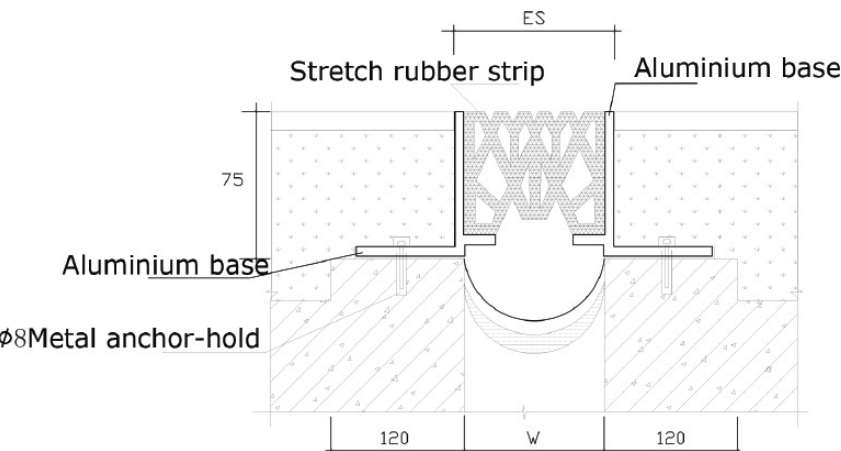
# FLUSH THINLINE FLOOR COVERS

## POLITE ENTERPRISES CORPORATION



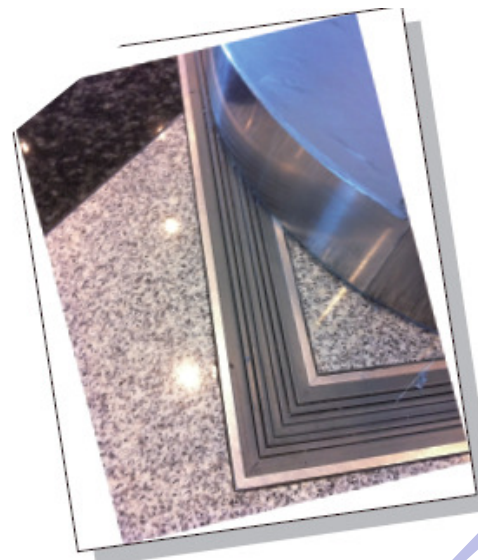
Model code: MSQTP-1

Joint Width (W)	25	50	75
Exposed surface (ES)	98	123	148
Movement Capacity	12	12	12



Model code: MSQTP-2

Joint Width (W)	25	50	75
Exposed surface (ES)	98	123	148
Movement Capacity	12	12	12

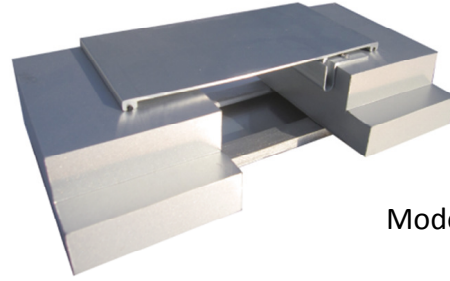




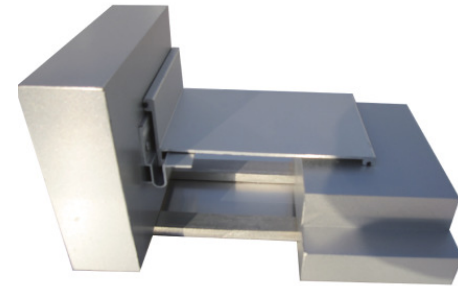
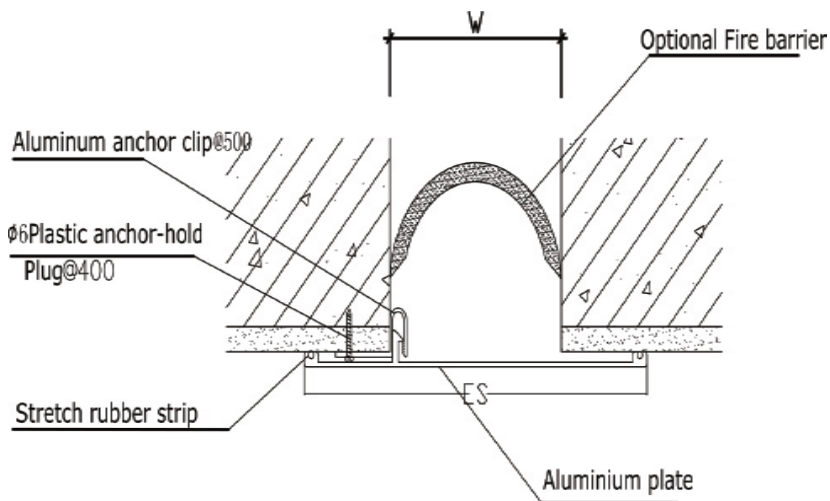
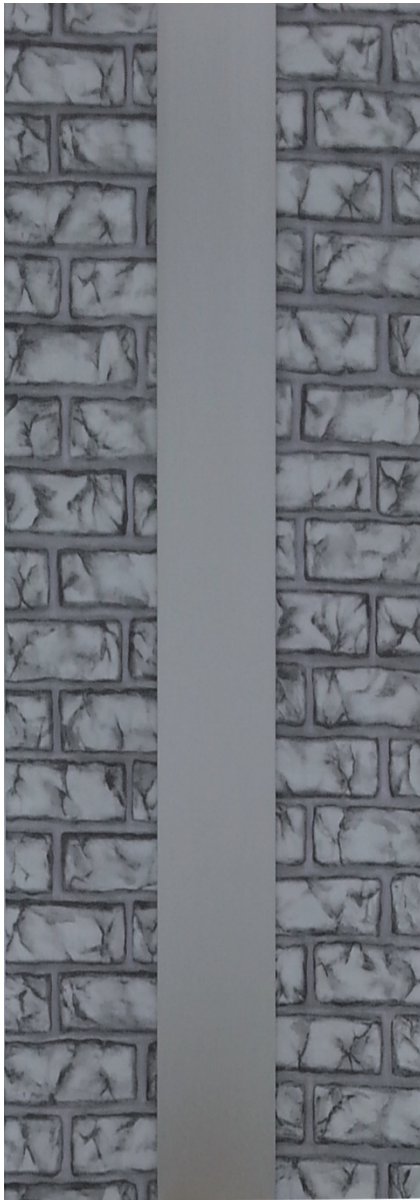
# METAL WALL COVERS

## POLITE ENTERPRISES CORPORATION

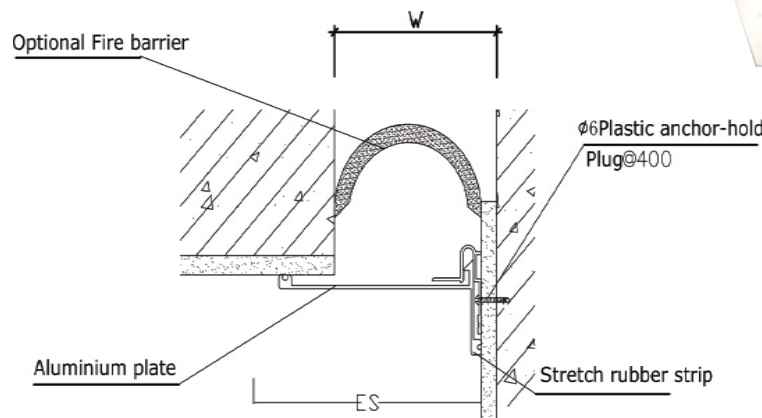
- Suitable for Joint width 50—250mm
- Designed for interior wall and ceiling
- Featuring a Glide Plate System
- Snap-fit cover design makes for easy on-site assembly
- No exposed fasteners
- Beautiful surface



Model code: MSNDK



Model code: MSN-QDK



Except single lock model, every model can be used for interior wall, ceiling and exterior wall. The difference is that water barrier is allocated only for exterior wall. The models are available for interior wall and ceiling.

[www.polite.com.au](http://www.polite.com.au)

### Victoria

274 Wolsley Place, Thomastown VIC 3074  
T: 03 9462 7400 | F: 03 9462 7411  
E: [info@polite.com.au](mailto:info@polite.com.au)

### New South Wales Australian Capital Territory

15 Valediction Rd, Kings Park NSW 2148  
T: 02 9831 2855 | F: 02 9831 2822  
E: [info@polite.com.au](mailto:info@polite.com.au)

### Queensland

8/25 Ingleston Road, Tingalpa QLD 4173  
Tel 07 3910 0107 | Fax 07 3890 4428  
E: [info@polite.com.au](mailto:info@polite.com.au)

### South Australia, Western Australia

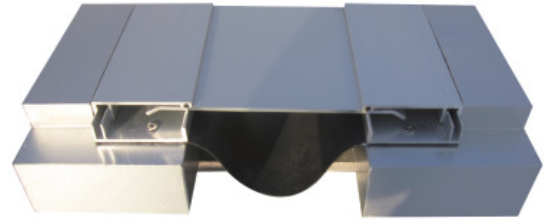
Northern Territory, Tasmania  
T: 1800 069 784  
E: [info@polite.com.au](mailto:info@polite.com.au)



# LOCK METAL WALL COVERS

## POLITE ENTERPRISES CORPORATION

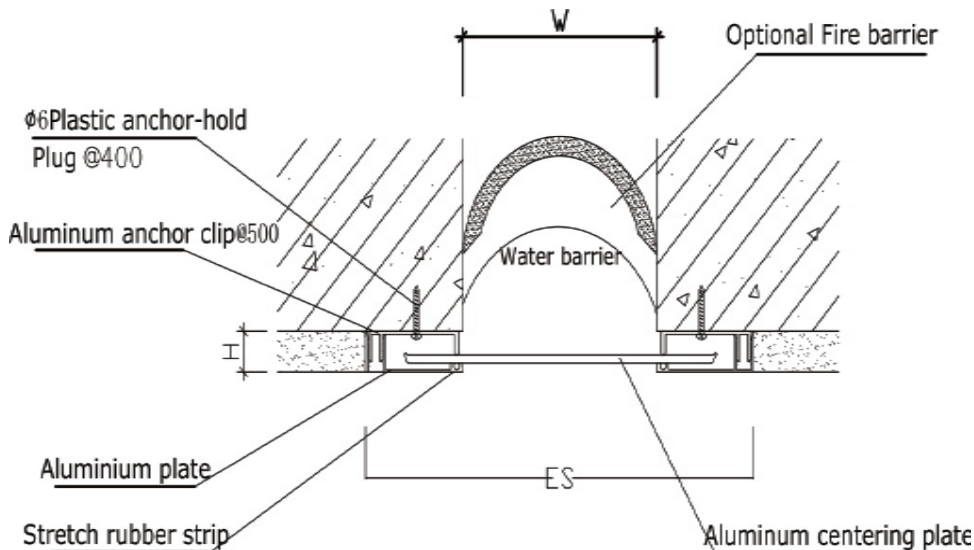
- Suitable for Joint width 75—500mm
- Featuring a Glide Plate System
- Designed for interior wall, ceiling and exterior wall
- Recessed frame
- is designed for drywall installations or can be surface mounted
- Snap-fit cover design makes for easy on-site assembly
- Better durability
- No exposed fasteners
- Beautiful surface
- Ideal for different wall finishes



Model code: MSNSK

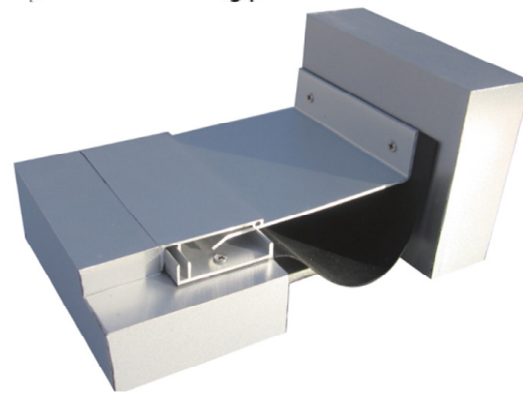
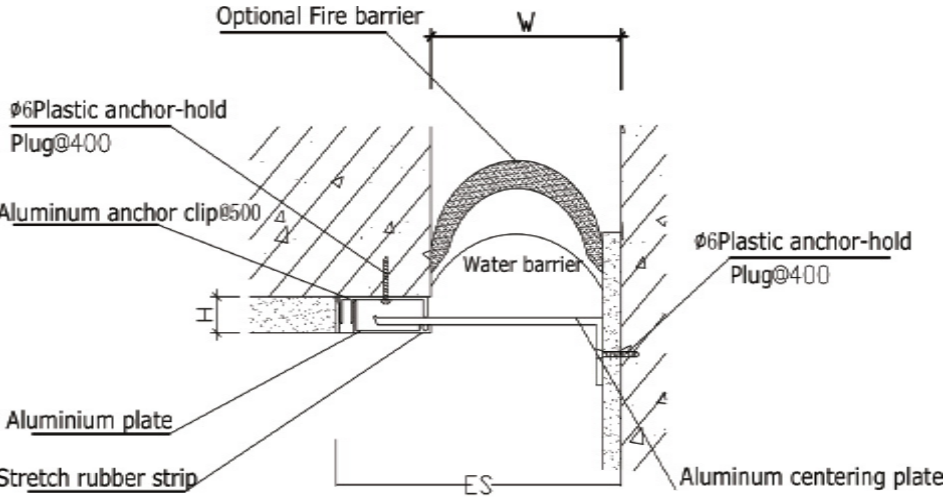


Lock Metal Wall Covers												
Suitable for Joint width : 75—500mm Aluminium Base wall thickness : 1.3mm, 2mm												
Joint Width (W)	75	100	125	150	175	200	250	300	350	400	450	500
Exposed surface (ES)	170	195	220	245	270	295	345	395	445	495	545	595
Movement Capacity	Total	80	80	80	80	80	80	80	80	80	80	80
	+	40	40	40	40	40	40	40	40	40	40	40
	-	40	40	40	40	40	40	40	40	40	40	40
Wideness of Plate(mm)	115	140	165	190	215	240	290	340	390	440	490	540
Thickness of Plate(mm)	1.5	1.5	1.5	1.5	1.5	1.5	1.5	1.5	2	2	2	2



# LOCK METAL WALL COVERS

## POLITE ENTERPRISES CORPORATION



Model code: MSN-QSK



### Lock Metal Wall Covers

Suitable for Joint width : 75—500mm Aluminium Base wall thickness : 1.3mm, 2mm

Joint Width (W)	75	100	125	150	175	200	250	300	350	400	450	500
Exposed surface (ES)	125	150	175	200	225	250	300	350	400	450	500	550
Movement Capacity	Total	40	40	40	40	40	40	40	40	40	40	40
	+	20	20	20	20	20	20	20	20	20	20	20
	-	20	20	20	20	20	20	20	20	20	20	20
Wideness of Plate(mm)	95	120	145	170	195	220	270	320	370	420	470	520
Thickness of Plate(mm)	1	1	1	1.5	1.5	1.5	1.5	1.5	2	2	2	2



#### Victoria

274 Wolseley Place, Thomastown VIC 3074  
T: 03 9462 7400 | F: 03 9462 7411  
E: [info@polite.com.au](mailto:info@polite.com.au)

#### New South Wales Australian Capital Territory

15 Valediction Rd, Kings Park NSW 2148  
T: 02 9831 2855 | F: 02 9831 2822  
E: [info@polite.com.au](mailto:info@polite.com.au)

#### Queensland

8/25 Ingleston Road, Tingalpa QLD 4173  
Tel 07 3910 0107 | Fax 07 3890 4428  
E: [info@polite.com.au](mailto:info@polite.com.au)

#### South Australia, Western Australia

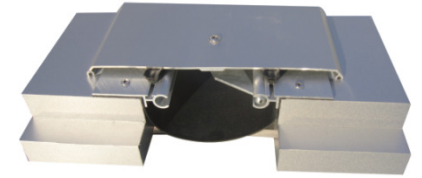
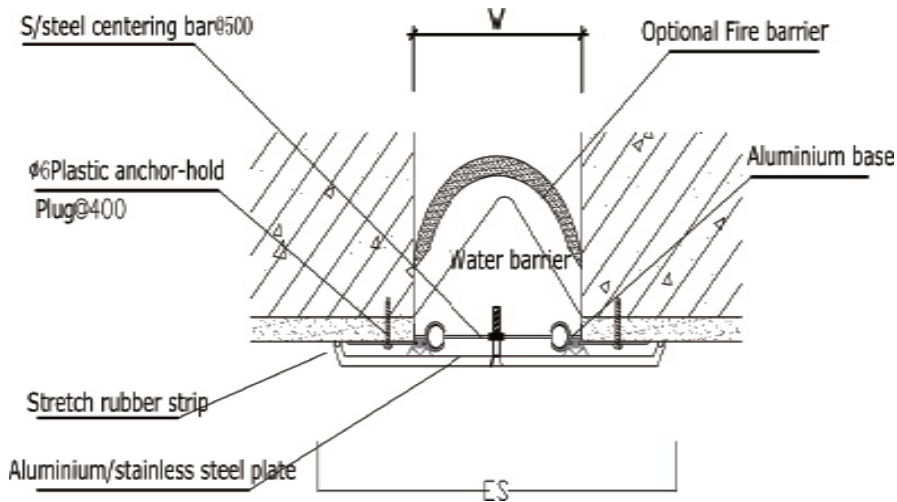
Northern Territory, Tasmania  
T: 1800 069 784  
E: [info@polite.com.au](mailto:info@polite.com.au)



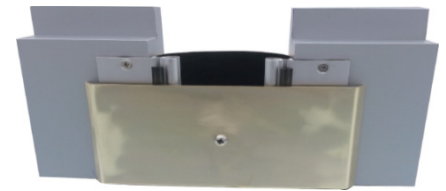
# STANDARD METAL WALL COVERS

## POLITE ENTERPRISES CORPORATION

- Suitable for Joint width 75—500mm
- Featuring a Glide Plate and Centring Bar System
- Designed for interior wall, ceiling and exterior wall
- Recessed frame is designed for drywall installations or can be surface mounted
- More stronger
- Better durability
- Beautiful surface
- Ideal for different wall finishes
- Anodised Aluminium, sprayed Aluminium,
- Stainless steel plate and Brass plate can be chosen



Model code: MSQG  
(Anodised Aluminium Plate)



Model code: MSQG  
(Brass plate)



Model code: MSQG (Sprayed Aluminium)

### Standard Metal Wall Covers

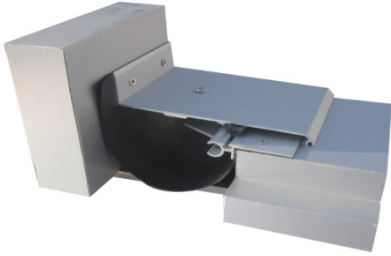
Suitable for Joint width : 75—500mm Aluminium Base wall thickness : 1.3mm, 2mm

Joint Width (W)	75	100	125	150	175	200	250	300	350	400	450	500
Exposed surface (ES)	175	200	225	250	275	300	350	400	450	500	650	600
Movement Capacity	Total	130	155	180	205	230	255	305	355	405	455	555
	+	100	100	100	100	100	100	100	100	100	100	100
	-	30	55	80	105	130	155	205	255	305	355	455
Wideness of Plate(mm)	175	205	225	250	275	300	350	400	450	500	550	600
Thickness of Plate(mm)	1.5	1.5	2	2	2	2	2	3	3	3	3	3

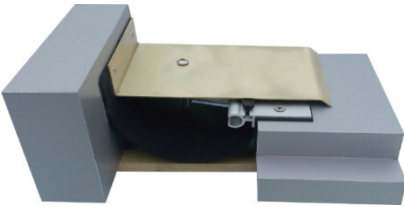


# STANDARD METAL WALL COVERS

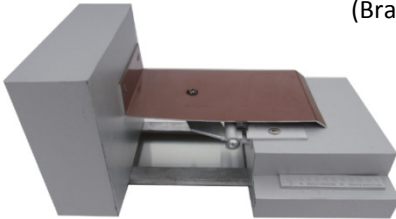
## POLITE ENTERPRISES CORPORATION



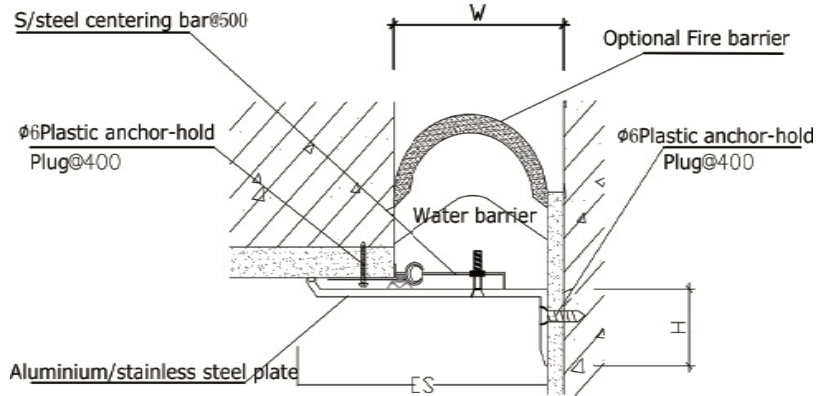
Model code: MSQ-QG  
(Anodised Aluminium Plate)



Model code: MSQ-QG  
(Brass plate)



Model code: MSQ-QG (Sprayed Aluminium)



### Standard Metal Wall Covers

Suitable for Joint width : 75—500mm Aluminium Base wall thickness : 1mm, 2mm

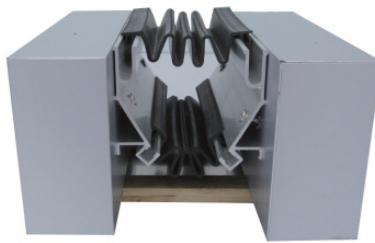
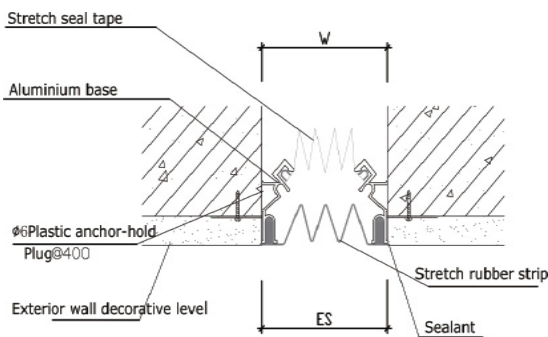
Joint Width (W)	75	100	125	150	175	200	250	300	350	400	450	500
Exposed surface (ES)	175	150	175	200	225	250	300	350	400	450	500	550
Movement Capacity	Total	90	115	140	165	190	215	265	315	365	415	515
	+	55	55	55	55	55	55	55	55	55	55	55
	-	35	60	85	110	135	160	210	260	310	360	460
Wideness of Plate(mm)	125	150	175	200	225	250	300	50	400	450	500	550
Thickness of Plate(mm)	1.5	1.5	1.5	2	2	2	2	3	3	3	3	3



# FLUSH RUBBER WALL COVERS

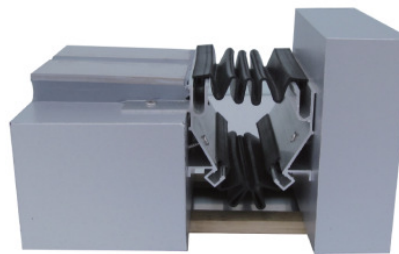
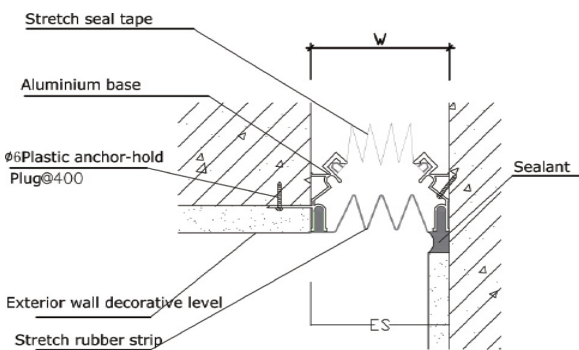
## POLITE ENTERPRISES CORPORATION

- Suitable for Joint width 50—300mm
- No visible aluminium or hardware
- Engineered for multi-directional seismic movement
- The face of the seal resists sagging and remains flat
- Visual seals are available in standard and custom colors
- Resistant to UV, ozone, acid rain, most chemicals and extreme temperatures.
- Splices can be heat welded or bonded with specialty adhesive
- Continuous lengths in most applications.



Model code: MSQDJF

Joint Width (W)	50	75	100	125	150	200
Exposed surface (ES)	50	75	100	125	150	200
Movement Capacity	25	37	50	62	75	100



Model code: MSQ-QDJF

Joint Width (W)	50	75	100	125	150	200
Exposed surface (ES)	50	75	100	125	150	200
Movement Capacity	25	37	50	62	75	100

[www.polite.com.au](http://www.polite.com.au)

**Victoria**  
274 Wolseley Place, Thomastown VIC 3074  
T: 03 9462 7400 | F: 03 9462 7411  
E: [info@polite.com.au](mailto:info@polite.com.au)

**New South Wales Australian Capital Territory**  
15 Valediction Rd, Kings Park NSW 2148  
T: 02 9831 2855 | F: 02 9831 2822  
E: [info@polite.com.au](mailto:info@polite.com.au)

**Queensland**  
8/25 Ingleston Road, Tingalpa QLD 4173  
Tel 07 3910 0107 | Fax 07 3890 4428  
E: [info@polite.com.au](mailto:info@polite.com.au)

**South Australia, Western Australia  
Northern Territory, Tasmania**  
T: 1800 069 784  
E: [info@polite.com.au](mailto:info@polite.com.au)

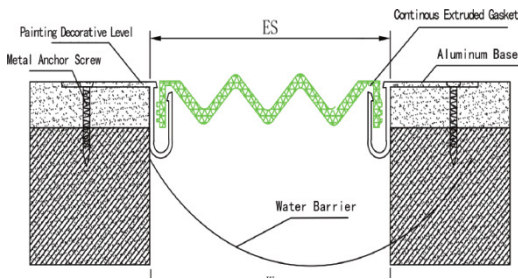




# FLULSH RUBBER WALL COVERS

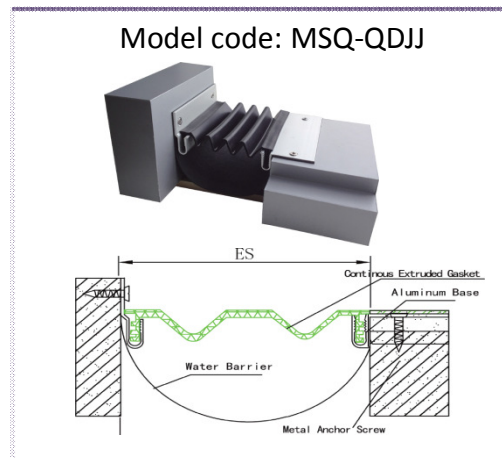
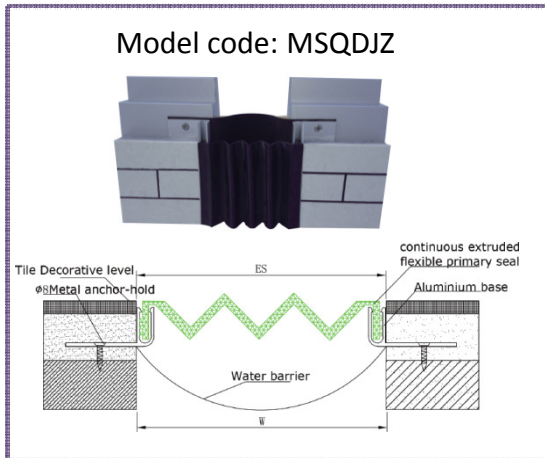
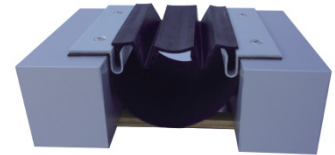
## POLITE ENTERPRISES CORPORATION

- Suitable for Joint width 50—300mm
- Different designs for coating and tile decorative level
- Unique seal barbs provide for secure engagement in the frame
- Engineered for multi-directional seismic movement
- Frame allows for finishing with joint compound or wall covering
- Easier installation
- Resistant to UV, ozone, acid rain, most chemicals and extreme temperatures.
- Splices can be heat welded or bonded with specialty adhesive
- The face of the seal resists sagging and remains flat
- Visual seals are available in standard and custom colors
- Continuous lengths in most applications

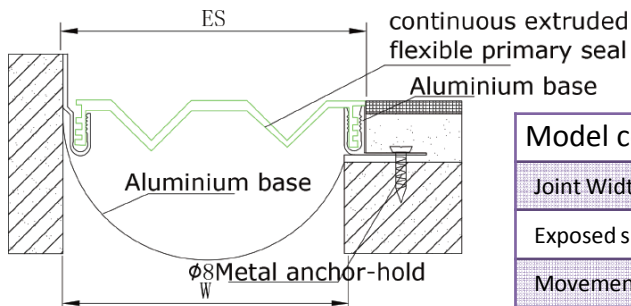


Model code: MSQDJZ/MSQDJJ

Joint Width (W)	50	75	100	125	150	200
Exposed surface (ES)	150	155	180	205	230	280
Movement Capacity	25	37	50	62	75	100

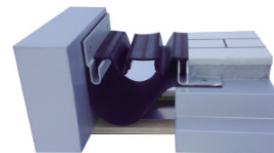


Model code: MSQ-QDJJ



Model code: MSQ-QDJZ/MSQ-QDJJ

Joint Width (W)	50	75	100	125	150	200
Exposed surface (ES)	90	115	140	165	190	240
Movement Capacity	25	37	50	62	75	100



# ROOF EXPANSION JOINT COVERS

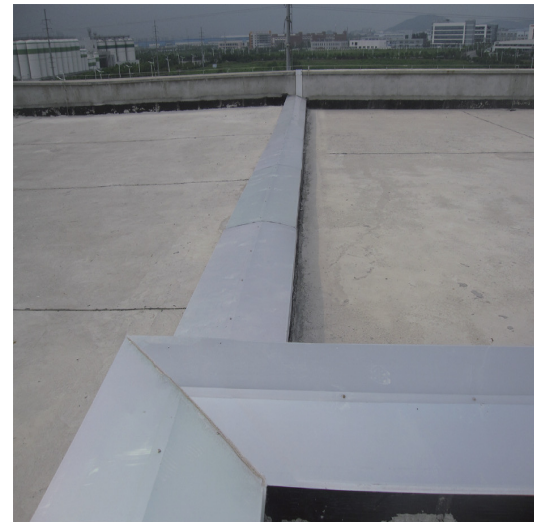
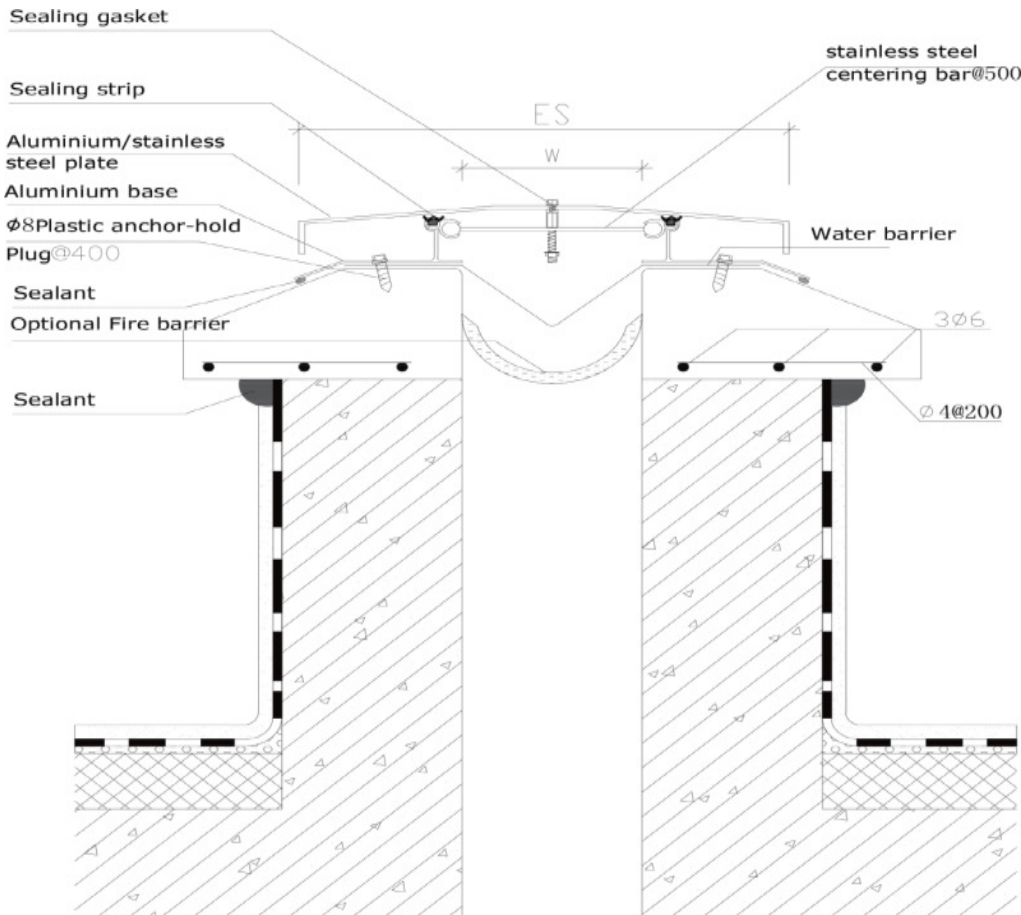
## POLITE ENTERPRISES CORPORATION

- Ideal for roof to roof applications
- Suitable for Joint width 50—500mm
- Featuring Neoprene weather washers that prevent leaking where fasteners penetrate frames/covers
- Gasket fasteners resist water and air passage
- Surface mount system accommodates uneven expansion joint widths
- Anodised Aluminium, sprayed Aluminium,
- Stainless steel plate and Brass plate can be chosen
- Aluminium covers may be engineered to resist snow and wind loads



Model code: MSWGZ

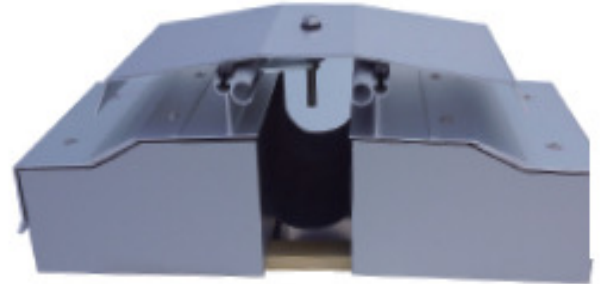
Joint Width (W)	50	75	100	125	150	200	250	300	350	400	450	500
Exposed surface (ES)	206	230	280	305	330	380	430	480	530	600	675	750
Movement Capacity	25	37	50	62	75	100	125	150	175	200	225	250



# ROOF EXPANSION JOINT COVERS

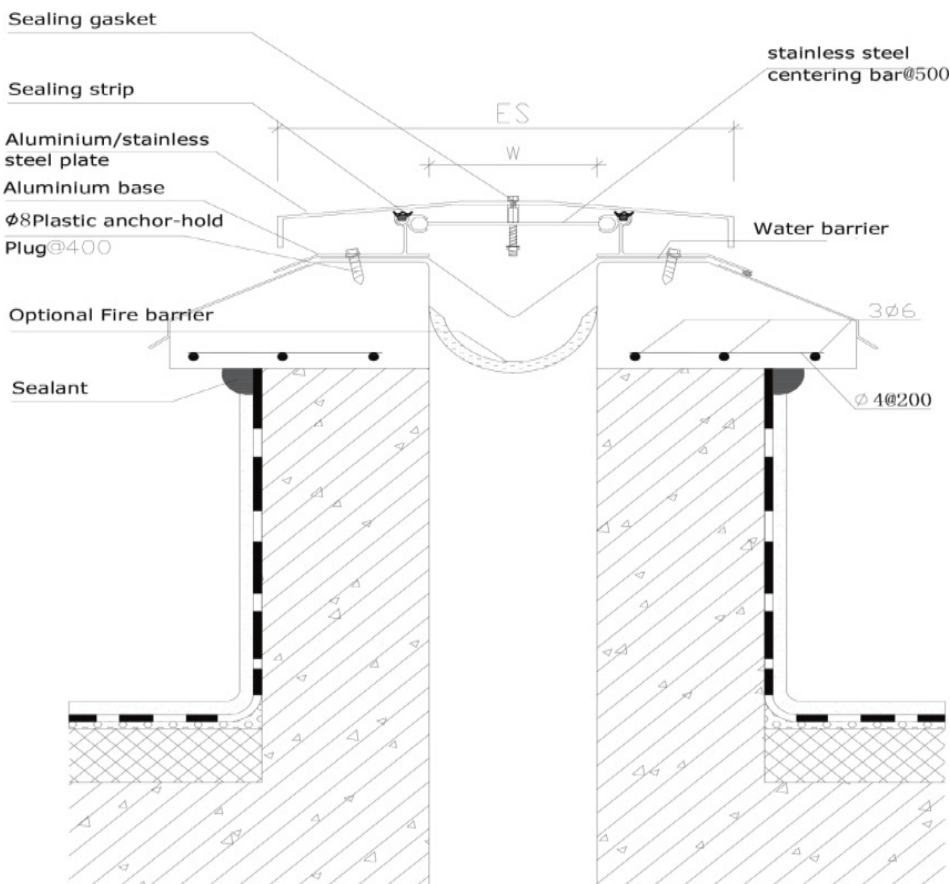
## POLITE ENTERPRISES CORPORATION

- Compared with MSWGZ,
- Resisting more snow and wind loads
- Featuring better waterproofness
- Covering stopping water beam avoiding
- widening and thickening cover plate
- Avoiding worse wind loads because of widening cover plate
- More cost -effective



Model code: MSWGJ

Joint Width (W)	50	75	100	125	150	200	250	300	350	400	450	500
Exposed surface (ES)	206	230	280	305	330	380	430	480	530	600	675	750
Movement Capacity	25	37	50	62	75	100	125	150	175	200	225	250



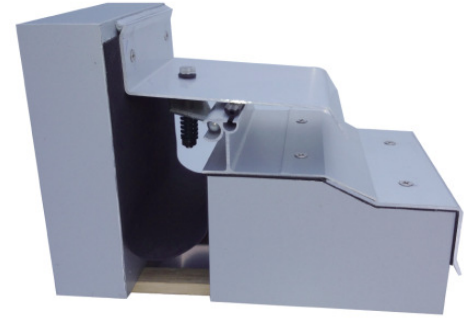


# ROOF EXPANSION JOINT COVERS

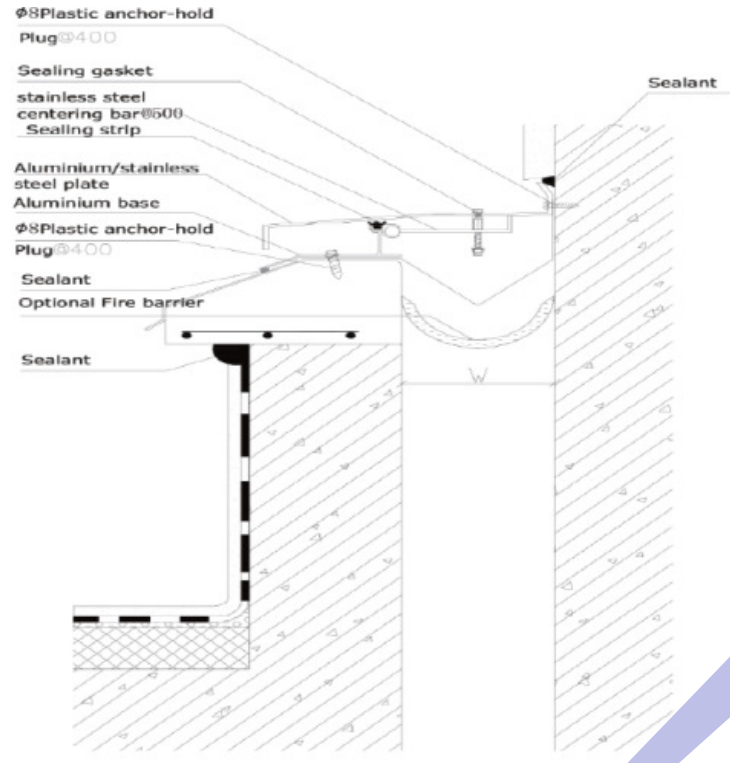
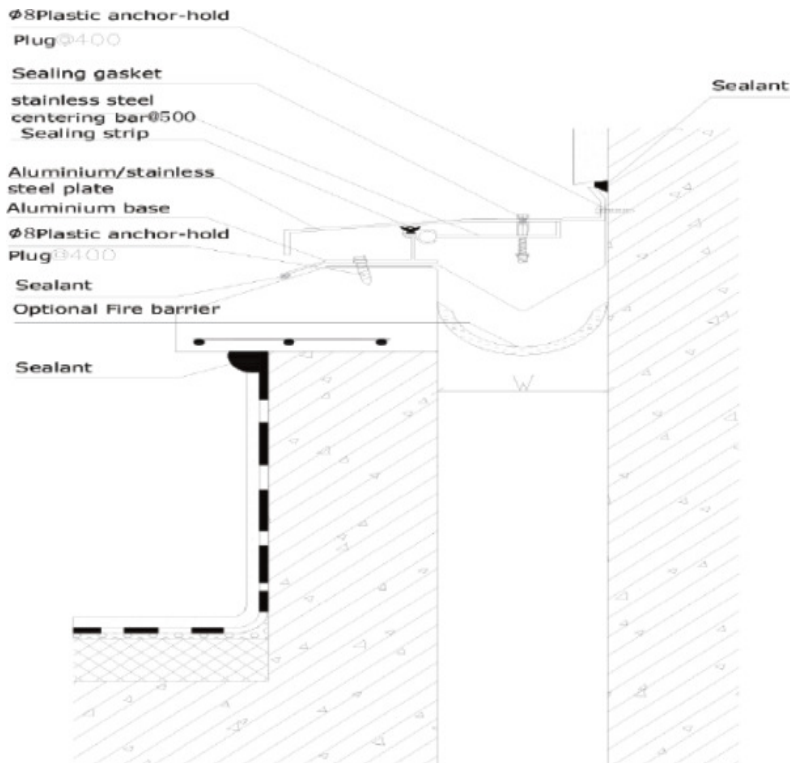
## POLITE ENTERPRISES CORPORATION



Model code: MSW-QGZ



Model code: MSW-QGJ



Joint Width (W)	50	75	100	125	150	200	250	300	350	400	450	500
Exposed surface (ES)	128	153	190	215	240	290	340	390	440	500	562	625
Movement Capacity	12	18	25	31	37	50	62	75	81	100	112	125

[www.polite.com.au](http://www.polite.com.au)

**Victoria**  
 274 Wolseley Place, Thomastown VIC 3074  
 T: 03 9462 7400 | F: 03 9462 7411  
 E: [info@polite.com.au](mailto:info@polite.com.au)

**New South Wales Australian Capital Territory**  
 15 Valediction Rd, Kings Park NSW 2148  
 T: 02 9831 2855 | F: 02 9831 2822  
 E: [info@polite.com.au](mailto:info@polite.com.au)

**Queensland**  
 8/25 Ingleston Road, Tingalpa QLD 4173  
 Tel 07 3910 0107 | Fax 07 3890 4428  
 E: [info@polite.com.au](mailto:info@polite.com.au)

**South Australia, Western Australia  
 Northern Territory, Tasmania**  
 T: 1800 069 784  
 E: [info@polite.com.au](mailto:info@polite.com.au)



# FLOOR COVER BARRIERS

## POLITE ENTERPRISES CORPORATION

### Fire barriers

Fire barrier is engineered as high performance fire resistive systems for sealing expansion joint openings. The systems are comprised of a flexible, high purity ceramic fibre blanket and stainless steel foil as required to achieve a specified protection and endurance rating. Systems are secured directly to the structural concrete expansion joint opening. The fire resistant rating can reach 1 hour - 4 hours. Different levels of fire barrier can be chosen for different building designs.



### Stainless steel Rhone

Stainless steel Rhone is designed in the condition that it's inconvenient to waterproof on the front. Add a strip of stainless steel Rhone for waterproofing at the back surface. It's new that as trip of guiding water line prevents the water flowing along the boom and guides the water flow into the Rhone. Also a water barrier is added In the stainless steel Rhone. So there are 3 levels of water barrier to realize a best waterproofing.



### Water barrier

Water barrier is made of EPDM with high quality. Rubber: Elastic gasket is used by Santoprene from America. It is qualified under ASTM D2240, ADTM792, ASTMD412, ASTMD395.





# MOVEMENT CONTROL JOINT

## POLITE ENTERPRISES CORPORATION

- Designed to appear as discretely as a grout line whilst absorbing localised compression and expansion stresses
- Neoprene core is resistant to most chemicals and detergents generally used in tiled applications
- Aluminium, Stainless steel and brass slide plate can be chosen for different need.
- Secure fixing in screed by perforated mounting brackets
- Extra sound insulation can be obtained by installing insulation material as a joint filler

