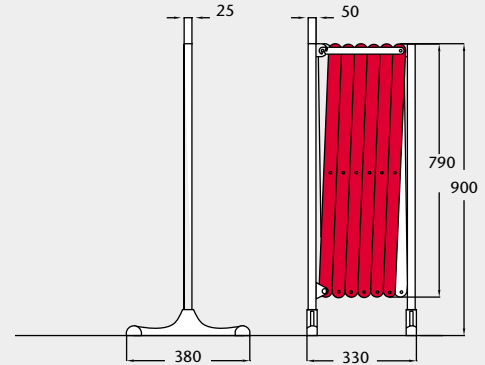
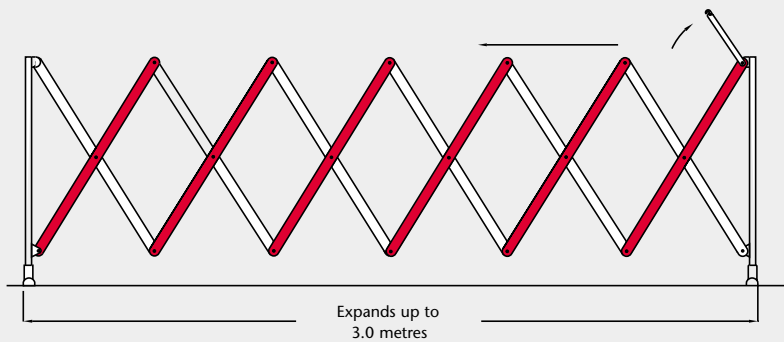


TECHNICAL SHEET

POLITE ENTERPRISES CORPORATION

SafeGuard



Product Description

Safe-Guard is a lightweight, commercial style expandable barricade. It was developed as a lightweight and more portable barricade for indoor use. Designed with purpose built oval shaped aluminium legs and plastic moulded feet. Weighing less than 5kg it is perfect for use in shopping centres, hospitals, department stores or anywhere with high volumes of pedestrian traffic. Available in highly visible white and red or can be tailored to complement your interior decor. One unit expands up to a maximum of 3 metres. If a longer barrier is required the units lock together providing a continuous barricade that is still lightweight to manoeuvre. Optional feet weights are available to provide extra stability against movement. Safe-Guard folds up to a compact unit only 330mm wide for easy storage



Weight plates for even greater stability

- PRODUCT CODE
S/G 110YB
S/G 110WR
- Comes in yellow & black or red & white
- Expands up to 3m
- Weight: Less than 5kg
- Extra weight plates for greater stability available
- Ideal for shopping centres, hotels, hospitals, fast-food restaurants, supermarkets, schools, universities, airport facilities, maintenance contractors & pedestrian traffic control

Contact

P: +61 1800 765 483
264 Wolseley Place,
Thomastown VIC 3074
W: www.polite.com.au

