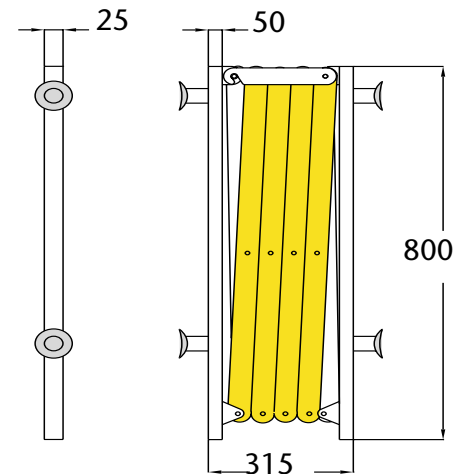
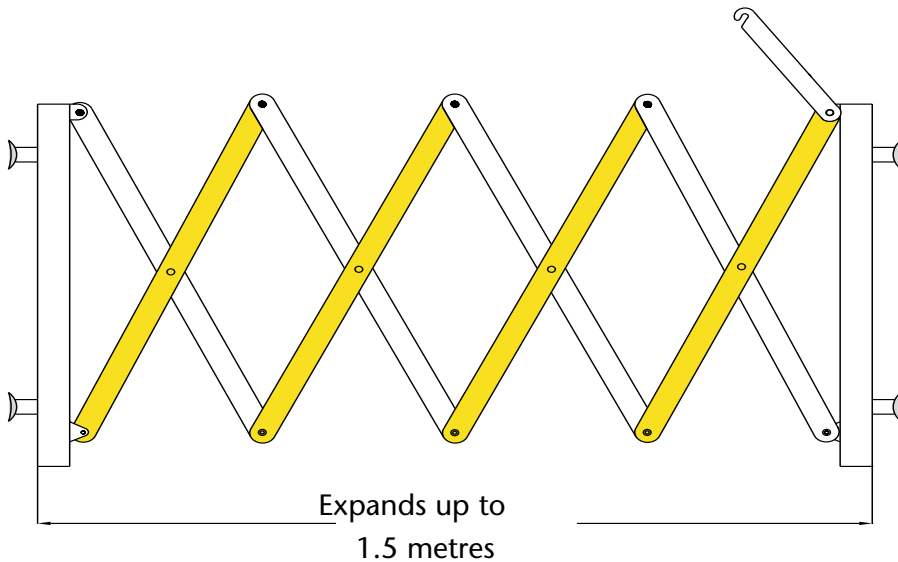


POLITE ENTERPRISES CORPORATION

Securaguard



Product Description

Secura-Guard is a purpose designed expandable barricade to prevent pedestrian traffic using escalators that have stopped operating. In the event of the escalator breaking down, maintenance or security staff are able to quickly deploy Secura-Guard units at the top and bottom of the escalator, preventing use until repair or maintenance is complete.

Secura-Guard units are stored in a closed and locked position. When placed within the inside of the escalator and unlocked they will automatically open and expand outward, via their internal spring mechanism. The combination of the outward force generated by the spring mechanism and the suction pads on each side of the unit, ensures Secura-Guard is held firmly in place within the confines of the escalator.



- PRODUCT CODE S/G 130YW
- Comes in yellow & white
- Opens automatically via internal spring mechanism
- Expands up to 1.5m

Contact

P: +61 1800 765 483
264 Wolseley Place,
Thomastown VIC 3074
W: www.polite.com.au

