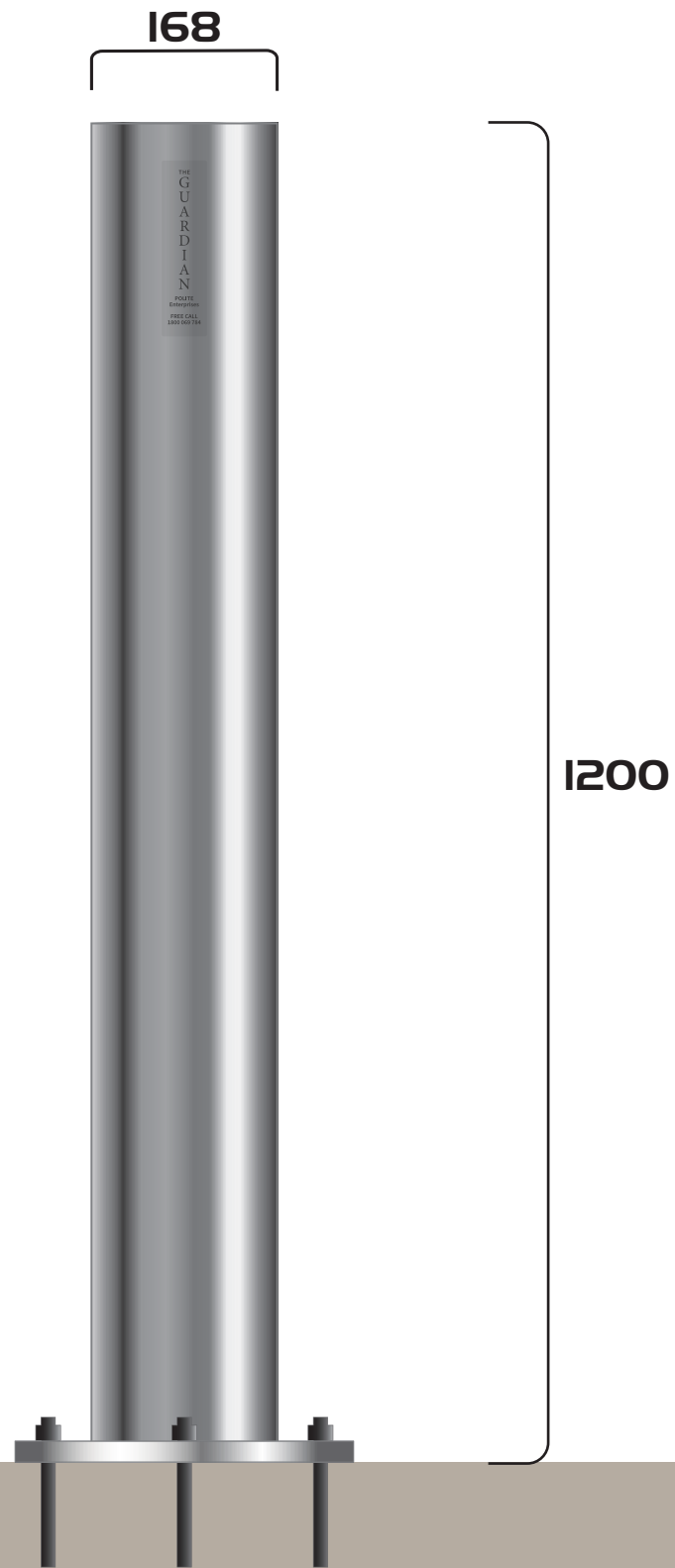




POLITE ENTERPRISES CORPORATION

polite.com.au

BOLLARDS



Specifications

Material:	Stainless Steel	Base Plate:	300 x 10mm
Height (Above Surface):	1200mm	Fixing hole diameter:	12mm
Diameter:	168mm	Number of fixings:	4
Wall Thickness:	3.4mm	Core Hole diameter:	N/A
Weight:	25kg	Core Hole depth:	N/A

HRA-7SS
HEAVY-DUTY ROUND
ABOVE GROUND
STAINLESS STEEL